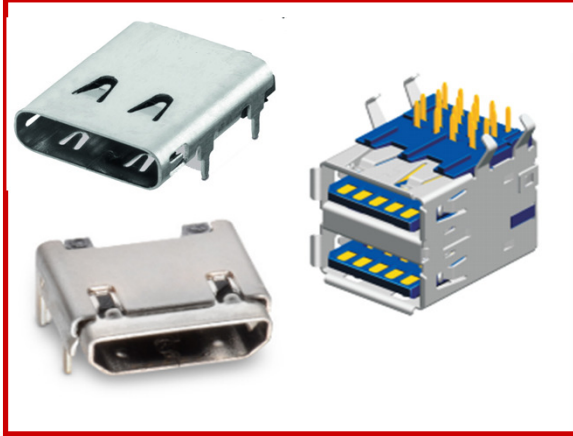


USB连接器

USB Connector



特性

Characteristics

统一标准的USB接口

Unified standard USB interface

产品类型

Product Range

USB 2.0, USB 3.0, USB 3.1

Part Number:

USB 31C S D F 24 — H 0 0 0 xxx

① ② ③ ④ ⑤ ⑥ ⑦ ⑧ ⑨ ⑩ ⑪

① Type:USB

② Product Type: 31C-USB 3.1 type C

③ Solder Type: D-DIP,S-SMT

④ Method Of Operation: H-Hingle, P-Pull&Push

⑤ Contact Design:B-Bottom Contact, T-Top Contact

⑥ Number Of Pin : 06- 6pins,10-10pins

⑦ Structure: V-Vertical,H-Horizontal

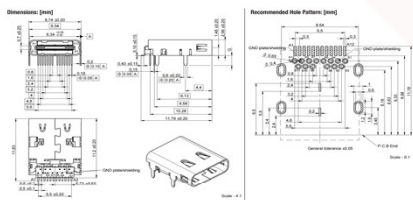
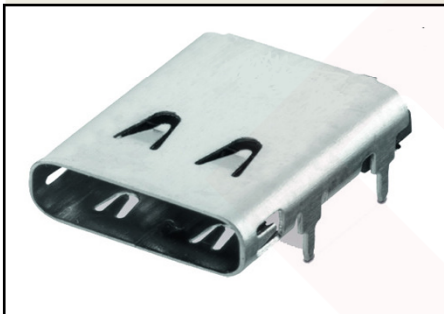
⑧ Material And Colour: 0-Standard

⑨ Packaging:0-Standard

⑩ Plated: 0-Standard

⑪ Series Number

USB31CSDF24-H0001x1



Technical Data

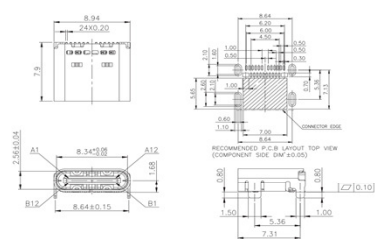
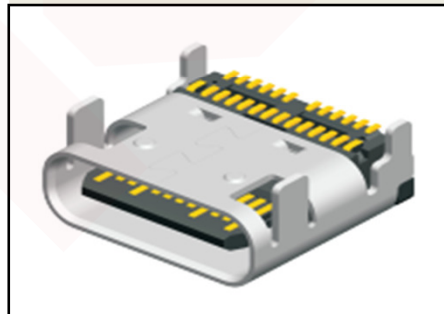
Product Type: USB 3.1 Type C

Pins 24

Current Rating 5A

Durability 10000 Cycles

USB31CSDF24-H000102



Technical Data

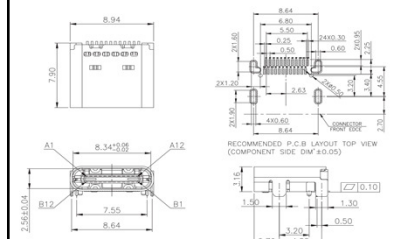
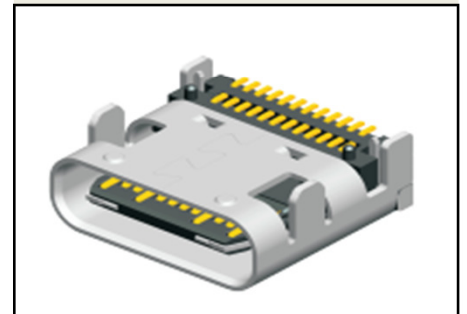
Product Type: USB 3.1 Type C

Pins 24

Current Rating 3A

Durability 10000 Cycles

USB31CSDF24-H000103



Technical Data

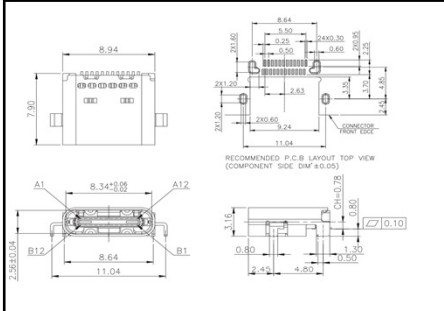
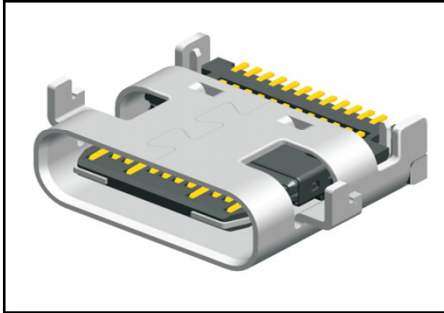
Product Type: USB 3.1 Type C

Pins 24

Current Rating 3A

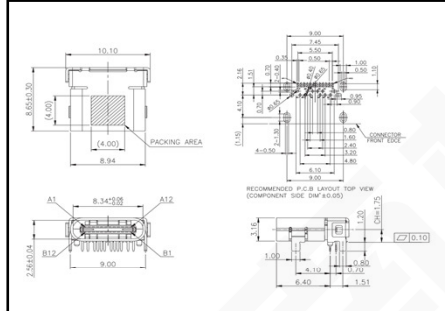
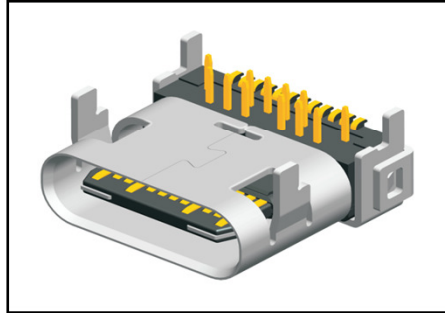
Durability 10000 Cycles

USB31CSDF24-H000104



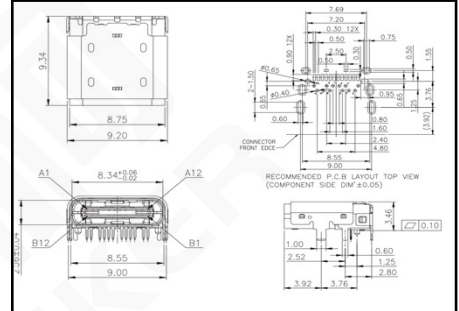
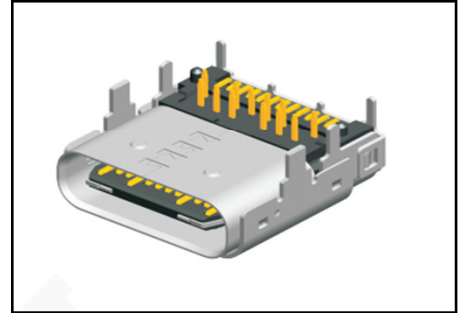
Technical Data	
Product Type:	USB 3.1 Type C
Pins	24
Current Rating	3A
Durability	10000 Cycles
CH	0.78

USB31CSDF24-H000105



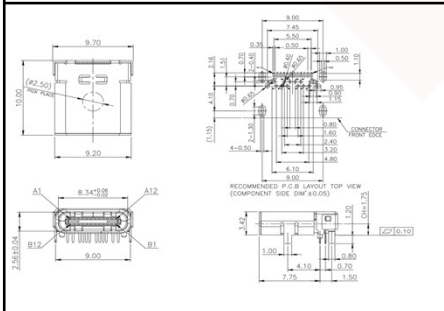
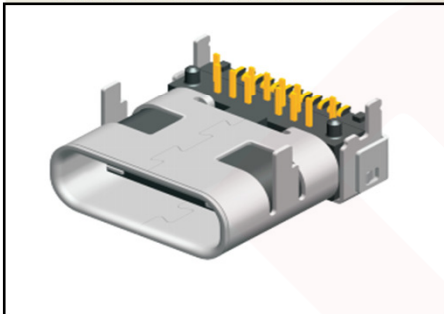
Technical Data	
Product Type:	USB 3.1 Type C
Pins	24
Current Rating	3A
Durability	10000 Cycles

USB31CSDF24-H000106



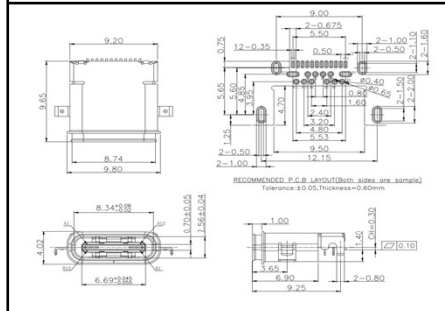
Technical Data	
Product Type:	USB 3.1 Type C
Pins	24
Current Rating	3A
Durability	10000 Cycles

USB31CSDF24-H000107



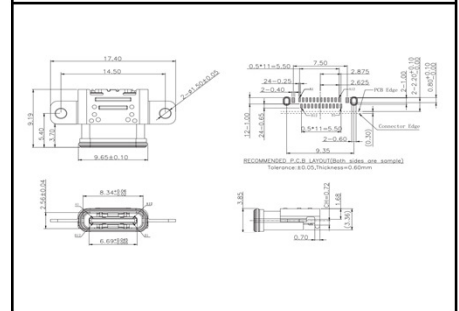
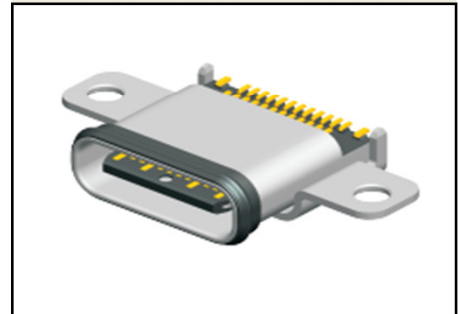
Technical Data	
Product Type:	USB 3.1 Type C
Pins	24
Current Rating	3A
Durability	10000 Cycles

USB31CSDF24-H000108



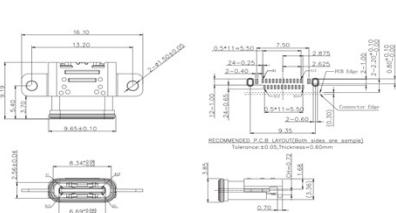
Technical Data	
Product Type:	USB 3.1 Type C
Pins	24
Current Rating	3A
Durability	10000 Cycles
CH	0.3

USB31CSDF24-H000109



Technical Data	
Product Type:	USB 3.1 Type C
Pins	24
Current Rating	3A
Durability	10000 Cycles
CH	0.72

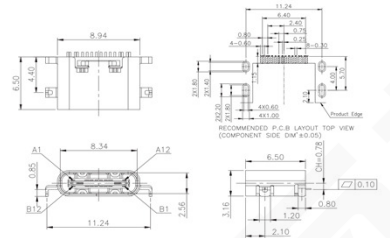
USB31CSDF24-H000110



Technical Data

Product Type:	USB 3.1 Type C
Pins	24
Current Rating	3A
Durability	10000 Cycles
CH	0.72

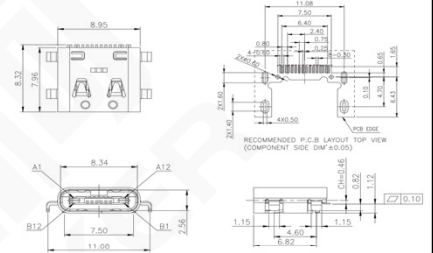
USB31CSDF16-H000101



Technical Data

Product Type:	USB 3.1 Type C
Pins	16
Current Rating	3A
Durability	10000 Cycles
CH	0

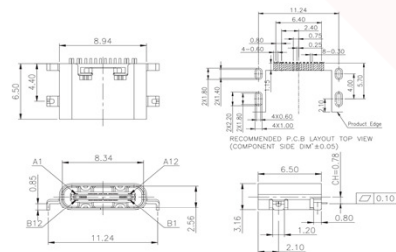
USB31CSDF16-H000102



Technical Data

Product Type:	USB 3.1 Type C
Pins	24
Current Rating	3A
Durability	10000 Cycles
CH	0.46

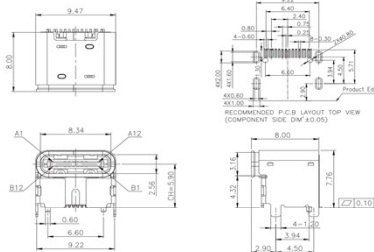
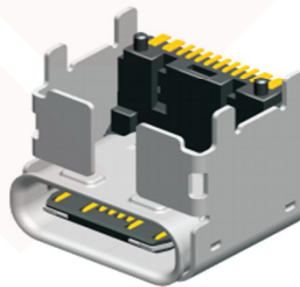
USB31CSDF16-H000103



Technical Data

Product Type:	USB 3.1 Type C
Pins	16
Current Rating	3A
Durability	10000 Cycles
CH	0.78

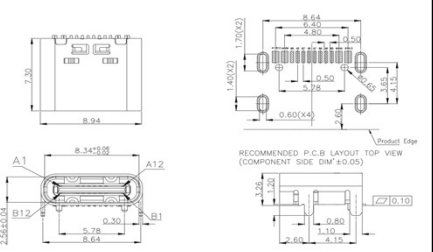
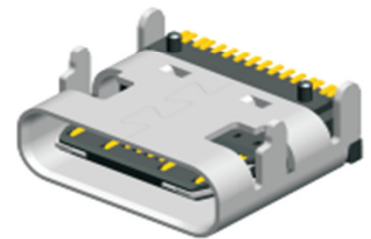
USB31CSDF16-H000104



Technical Data

Product Type:	USB 3.1 Type C
Pins	16
Current Rating	3A
Durability	10000 Cycles
CH	5.9

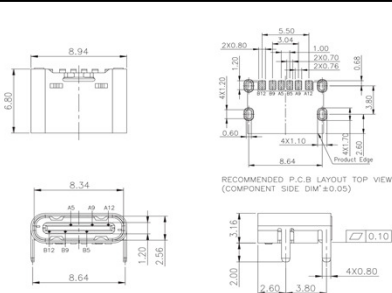
USB31CSDF16-H000105



Technical Data

Product Type:	USB 3.1 Type C
Pins	16
Current Rating	3A
Durability	10000 Cycles

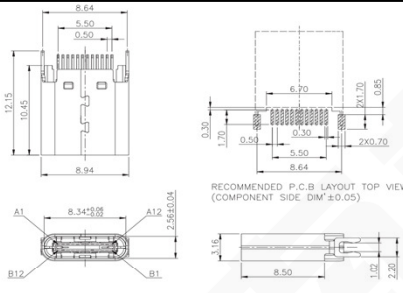
USB31CSDF06-H000101



Technical Data

Product Type:	USB 3.1 Type C
Pins	6
Current Rating	3A
Durability	10000 Cycles
CH	5.9

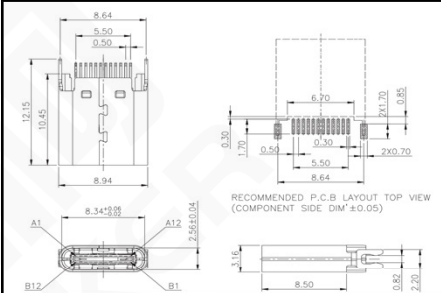
USB31CSDF24-V000101



Technical Data

Product Type:	USB 3.1 Type C
Pins	24
Current Rating	3A
Durability	10000 Cycles
Height	10.5

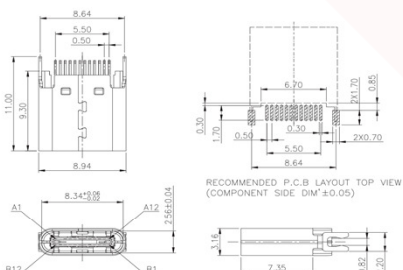
USB31CSDF24-V000102



Technical Data

Product Type:	USB 3.1 Type C
Pins	24
Current Rating	3A
Durability	10000 Cycles
Height	10.5

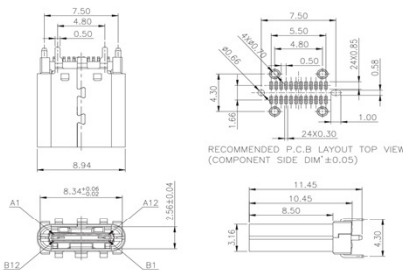
USB31CSDF24-V000103



Technical Data

Product Type:	USB 3.1 Type C
Pins	24
Current Rating	3A
Durability	10000 Cycles
Height	9.3

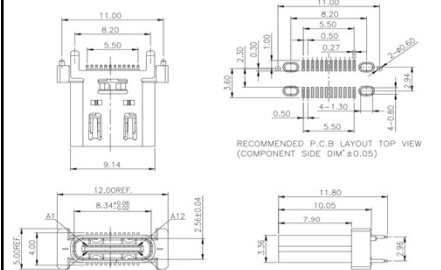
USB31CSDF24-V000104



Technical Data

Product Type:	USB 3.1 Type C
Pins	24
Current Rating	3A
Durability	10000 Cycles
Height	10.45

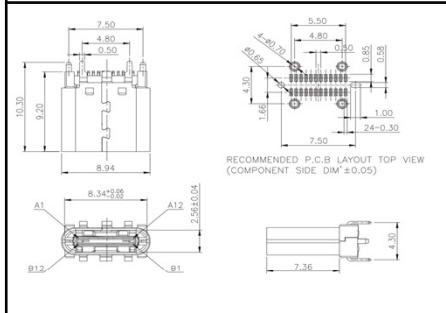
USB31CSDF24-V000105



Technical Data

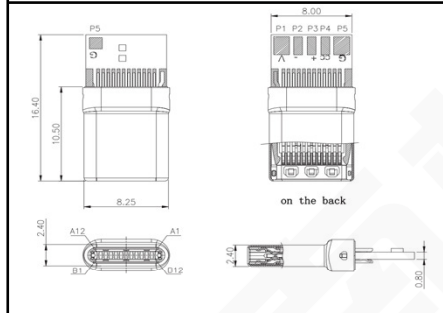
Product Type:	USB 3.1 Type C
Pins	24
Current Rating	3A
Durability	10000 Cycles
Height	10

USB31CSDF24-V000106



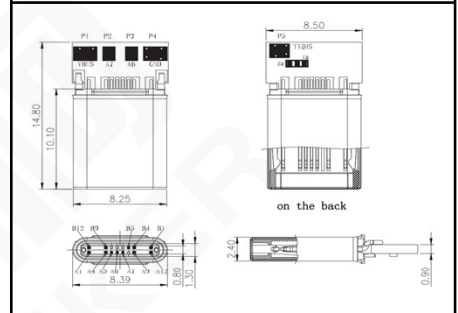
Technical Data	
Product Type:	USB 3.1 Type C
Pins	24
Current Rating	3A
Durability	10000 Cycles
Height	9.3

USB31CSDM24-V000101



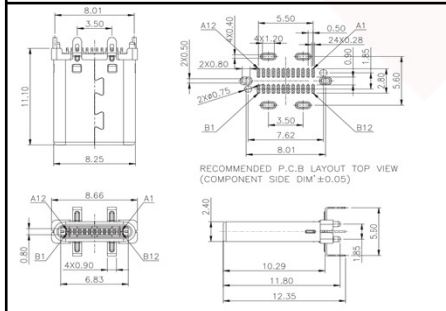
Technical Data	
Product Type:	USB 3.1 Type C
Pins	24
Current Rating	3A
Durability	10000 Cycles

USB31CSDM12-V000101



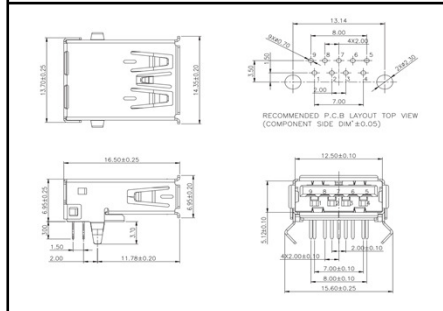
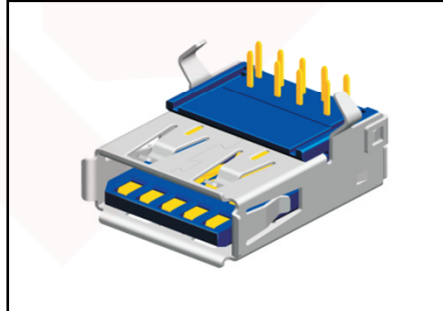
Technical Data	
Product Type:	USB 3.1 Type C
Pins	12
Current Rating	3A
Durability	10000 Cycles

USB31CSDM24-V000102



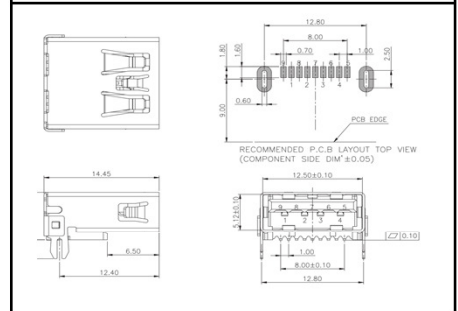
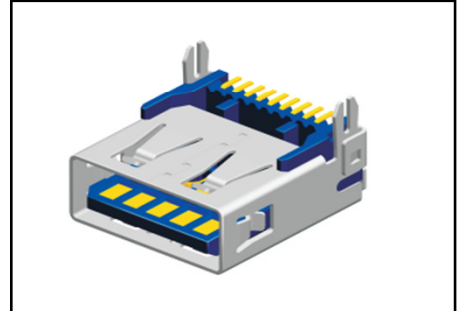
Technical Data	
Product Type:	USB 3.1 Type C
Pins	12
Current Rating	3A
Durability	10000 Cycles
Height	11.1

USB30ADDF09-H000101



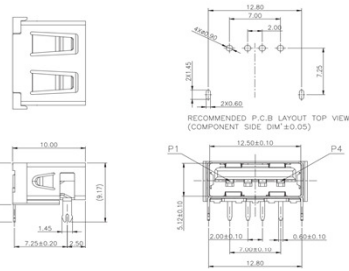
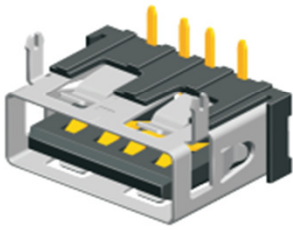
Technical Data	
Product Type:	USB 3.0 A
Pins	9
Current Rating	1.5A
Durability	5000 Cycles

USB30ASDF09-H000101



Technical Data	
Product Type:	USB 3.0 A
Pins	9
Current Rating	1.5A
Durability	5000 Cycles

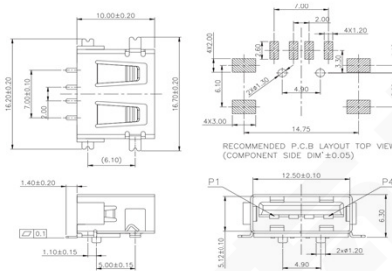
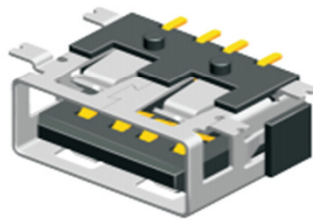
USB20ADSF04-H000103



Technical Data

Product Type:	USB 2.0 A
Pins	4
Current Rating	1.5A
Durability	1500 Cycles

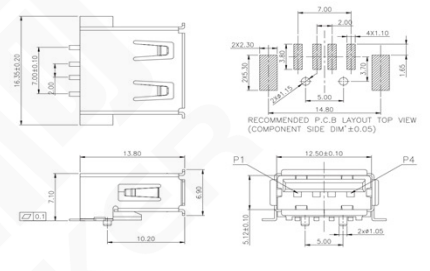
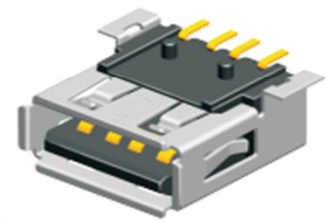
USB20ASSF04-H000101



Technical Data

Product Type:	USB 2.0 A
Pins	4
Current Rating	1.5A
Durability	1500 Cycles

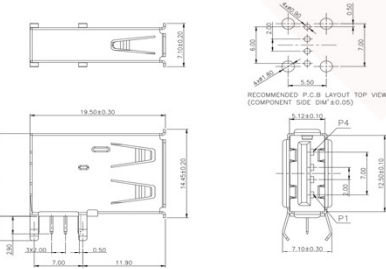
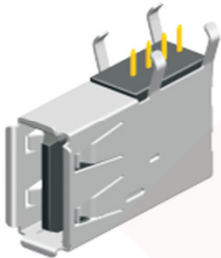
USB20ASSF04-H000102



Technical Data

Product Type:	USB 2.0 A
Pins	4
Current Rating	1.5A
Durability	1500 Cycles

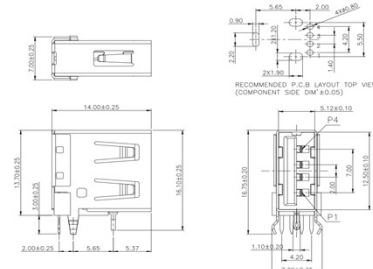
USB20ADSF04-H000104



Technical Data

Product Type:	USB 2.0 A
Pins	4
Current Rating	1.5A
Durability	1500 Cycles

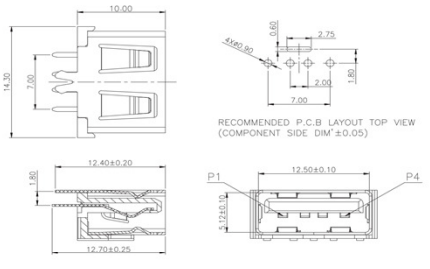
USB20ADSF04-H000105



Technical Data

Product Type:	USB 2.0 A
Pins	4
Current Rating	1.5A
Durability	1500 Cycles

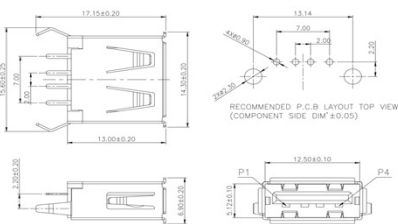
USB20ADSF04-V000101



Technical Data

Product Type:	USB 2.0 A
Pins	4
Current Rating	1.5A
Durability	1500 Cycles

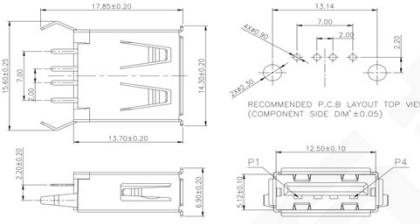
USB20ADSF04-V000102



Technical Data

Product Type:	USB 2.0 A
Pins	4
Current Rating	1.5A
Durability	1500 Cycles
Height	13

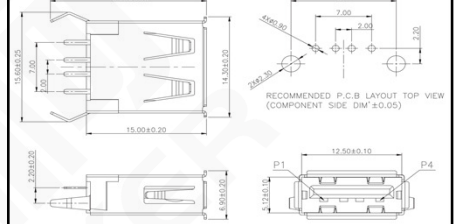
USB20ADSF04-V000103



Technical Data

Product Type:	USB 2.0 A
Pins	4
Current Rating	1.5A
Durability	1500 Cycles
Height	13.7

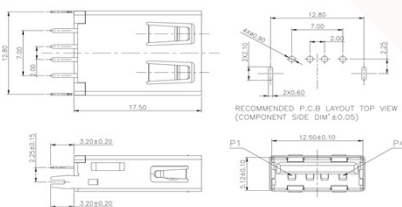
USB20ADSF04-V000104



Technical Data

Product Type:	USB 2.0 A
Pins	4
Current Rating	1.5A
Durability	1500 Cycles
Height	15

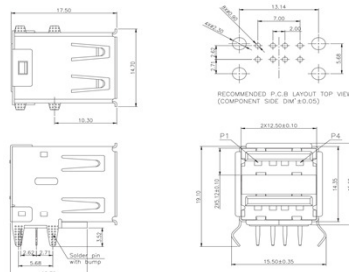
USB20ADSF04-V000105



Technical Data

Product Type:	USB 2.0 A
Pins	4
Current Rating	1.5A
Durability	1500 Cycles
Height	17.5

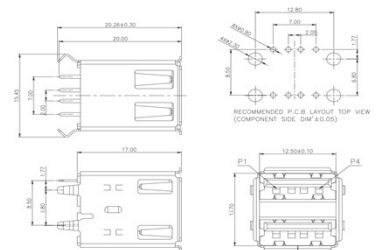
USB20ADDF08-H000101



Technical Data

Product Type:	USB 2.0 A
Pins	8
Current Rating	1.5A
Durability	1500 Cycles

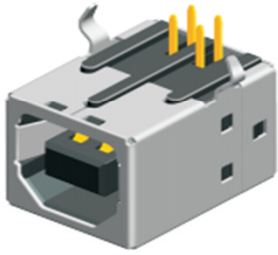
USB20ADDF08-V000101



Technical Data

Product Type:	USB 2.0 A
Pins	8
Current Rating	1.5A
Durability	1500 Cycles

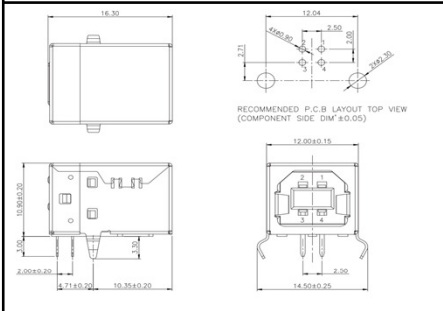
USB20BDDF04-H000101



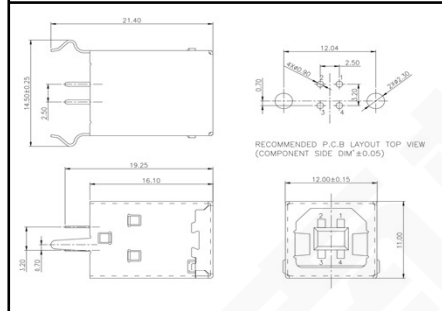
USB20BDDF04-V000101



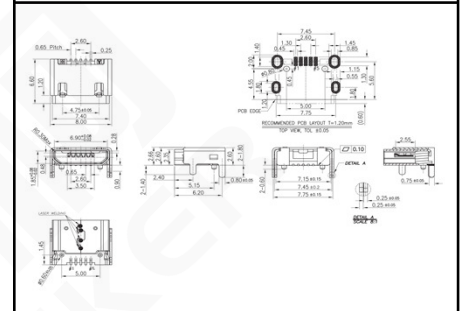
USB2MBSSF05-H000101



Technical Data	
Product Type:	USB 2.0 B
Pins	4
Current Rating	1.5A
Durability	1500 Cycles

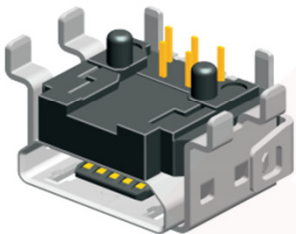


Technical Data	
Product Type:	USB 2.0 B
Pins	4
Current Rating	1.5A
Durability	1500 Cycles

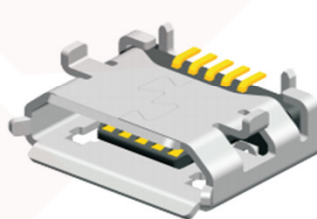


Technical Data	
Product Type:	USB 2.0 Micro B
Pins	5
Current Rating	1.5A
Durability	10000 Cycles

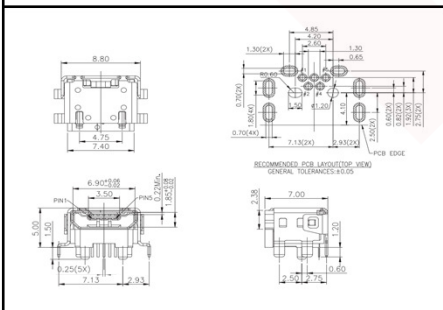
USB2MBDSF05-H000101



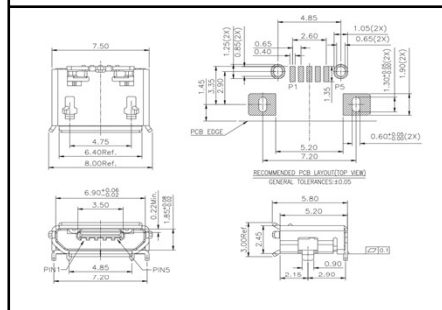
USB2MBSSF05-H000102



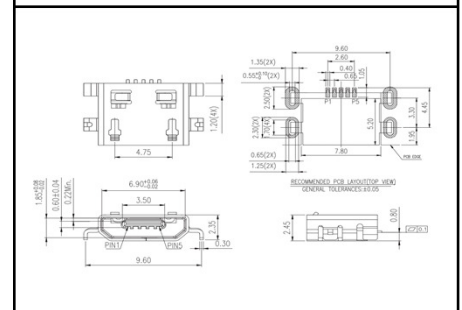
USB2MBSSF05-H000103



Technical Data	
Product Type:	USB 2.0 Micro B
Pins	5
Current Rating	1.5A
Durability	10000 Cycles

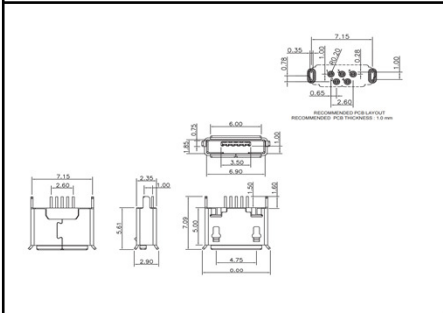
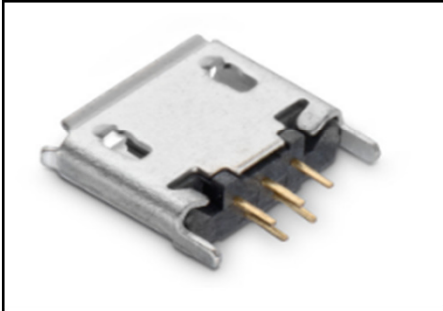


Technical Data	
Product Type:	USB 2.0 Micro B
Pins	5
Current Rating	1.5A
Durability	10000 Cycles



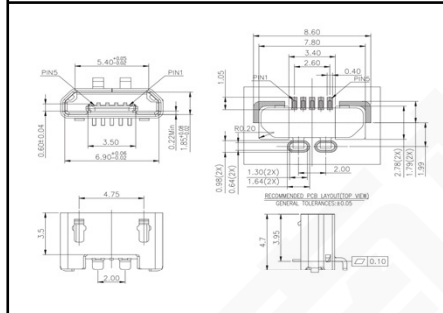
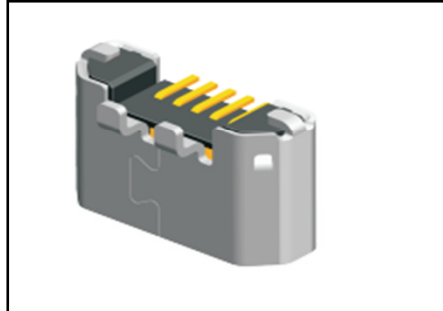
Technical Data	
Product Type:	USB 2.0 Micro B
Pins	5
Current Rating	1.5A
Durability	10000 Cycles

USB2MBDSF05-V000101



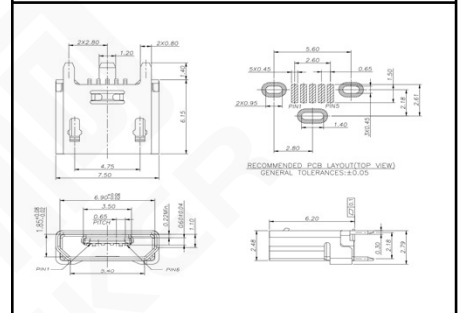
Technical Data	
Product Type:	USB 2.0 Micro B
Pins	5
Current Rating	1.5A
Durability	10000 Cycles

USB2MBSSF05-V000101



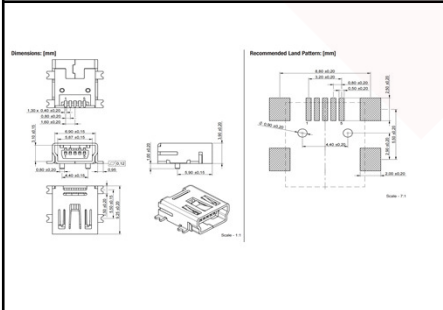
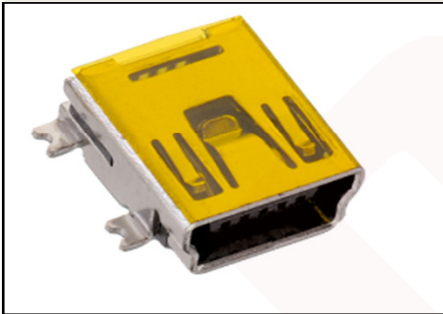
Technical Data	
Product Type:	USB 2.0 Micro B
Pins	5
Current Rating	1.5A
Durability	10000 Cycles

USB2MBSSF05-V000102



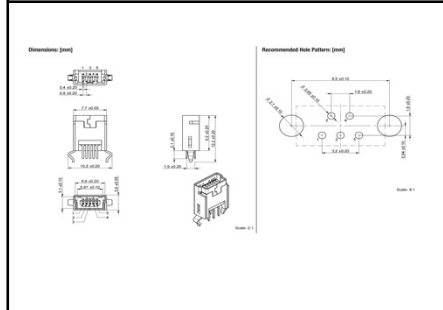
Technical Data	
Product Type:	USB 2.0 Micro B
Pins	5
Current Rating	1.5A
Durability	10000 Cycles

USB2NBSSF05-H000101



Technical Data	
Product Type:	USB 2.0 Mini B
Pins	5
Current Rating	1.5A
Durability	1500 Cycles

USB2NBDSF05-V000101



Technical Data	
Product Type:	USB 2.0 Mini B
Pins	5
Current Rating	1.5A
Durability	1500 Cycles