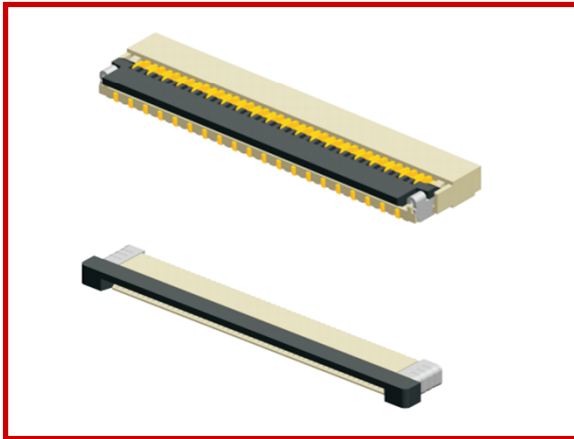


FPC连接器

FPC Connector



特性

Characteristics

一种高度低，重量轻和安全及可移动的连接
Low profile, light weight, and a secure and removable connection.

产品间距

Product Range

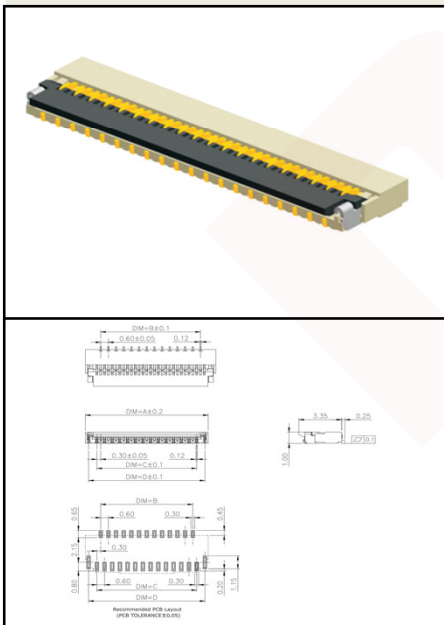
0.3,0.5,1.00

Part Number:

FPC 300 S P B 10 — V 0 0 0 xxx
① ② ③ ④ ⑤ ⑥ — ⑦ ⑧ ⑨ ⑩ ⑪

- ① Type:FPC
- ⑥ Number Of Pin : 06- 6pins,10-10pins
- ② Pitch: 300-3.00mm pitch
- ⑦ Structure: V-Vertical,H-Horizontal
- ③ Solder Type: D-DIP,S-SMT,
- ⑧ Material And Colour: 0-Standard
- ④ Method Of Operation: H-Hingle, P-Pull&Push
- ⑨ Packaging:0-Standard
- ⑤ Contact Design:B-Bottom Contact, T-Top Contact
- ⑩ Plated: 0-Standard
- ⑪ Series Number

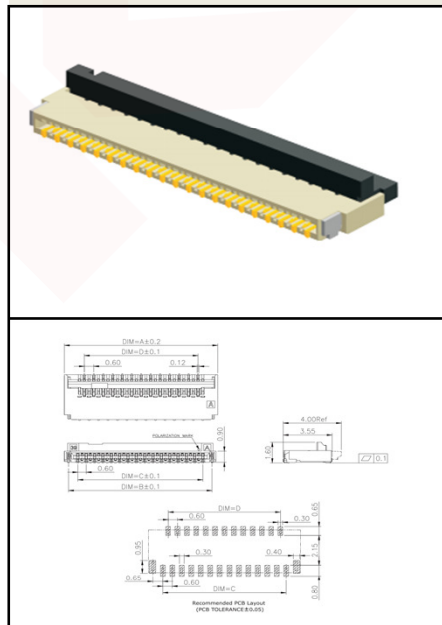
FPC030SHBxx-H000101



Technical Data

Pitch 0.3mm
Pins 9-51
Current Rating 0.2A
Height 1.0mm

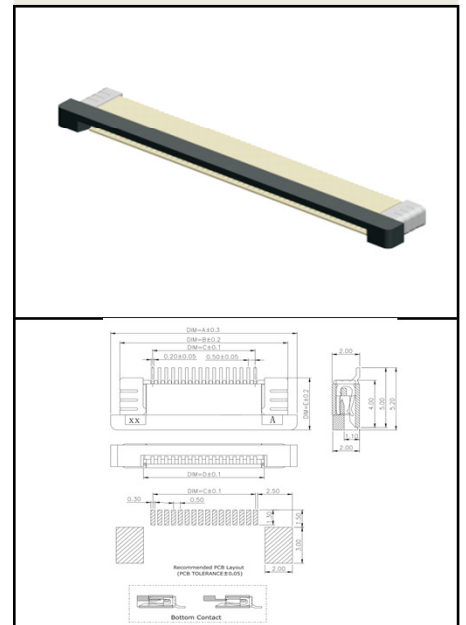
FPC030SHBxx-H000102



Technical Data

Pitch 0.3mm
Pins 9-61
Current Rating 0.2A
Height 1.0mm

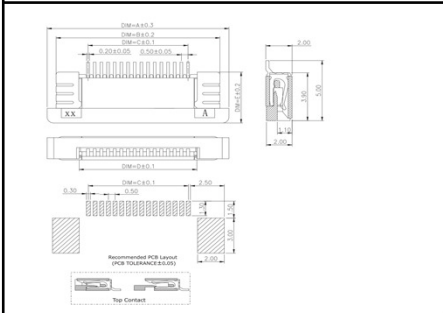
FPC050SPBxx-H000101



Technical Data

Pitch 0.5mm
Pins 4-60
Current Rating 0.4A
Height 2.0mm

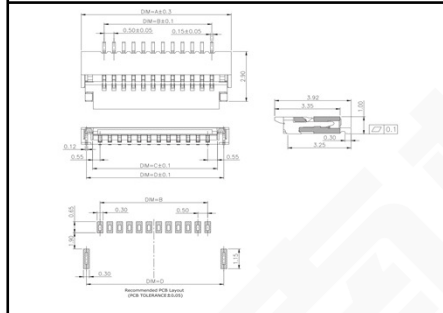
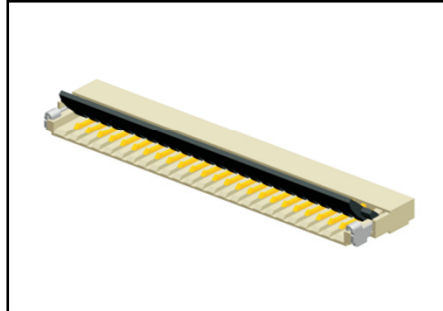
FPC050SPTxx-H000101



Technical Data

Pitch	0.5mm
Pins	4-60
Current Rating	0.4A
Height	2.0mm

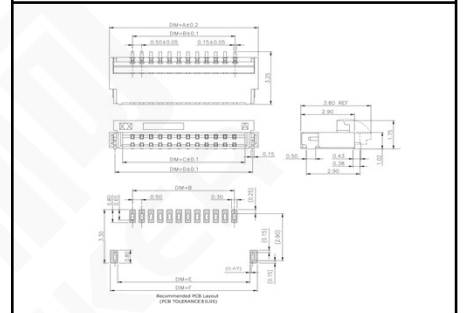
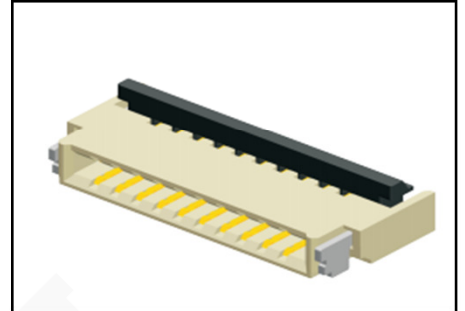
FPC050SHBxx-H000101



Technical Data

Pitch	0.5mm
Pins	4-40
Current Rating	0.4A
Height	1.0mm

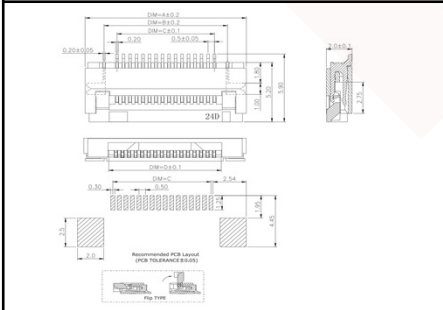
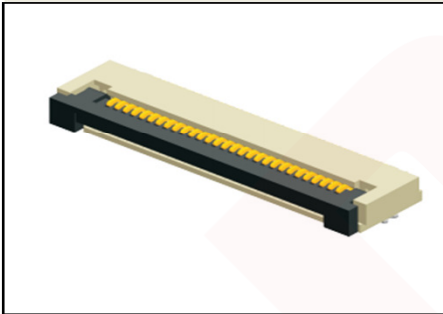
FPC050SHBxx-H000102



Technical Data

Pitch	0.5mm
Pins	4-32
Current Rating	0.4A
Height	1.0mm

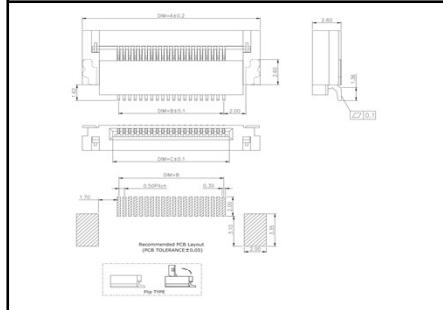
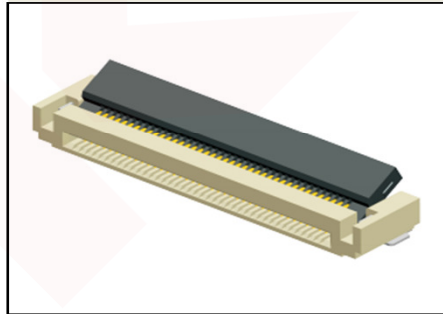
FPC050SHBxx-H000103



Technical Data

Pitch	0.5mm
Pins	4-70
Current Rating	0.4A
Height	2.0mm

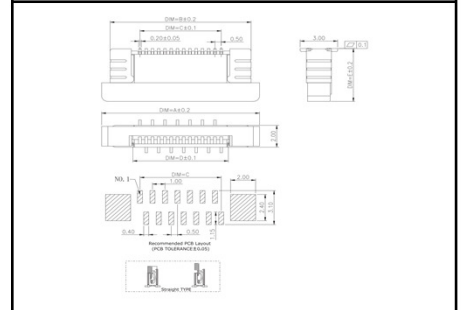
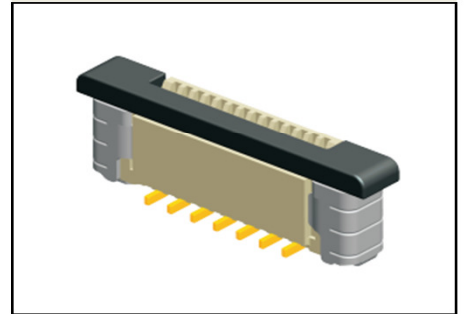
FPC050SHBxx-H000104



Technical Data

Pitch	0.5mm
Pins	4-70
Current Rating	0.4A
Height	2.0mm

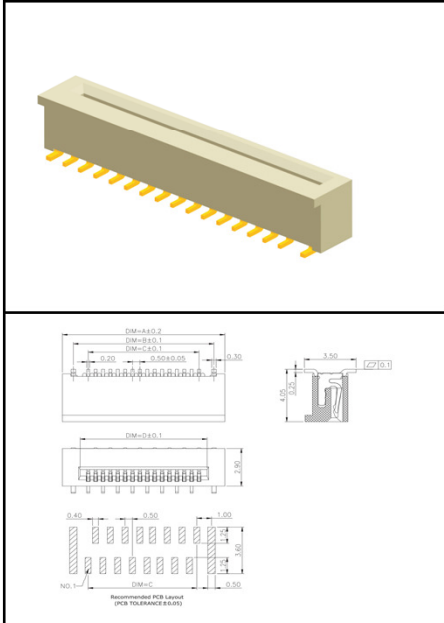
FPC050SP0xx-V000101



Technical Data

Pitch	0.5mm
Pins	4-60
Current Rating	0.4A
Height	2.0mm

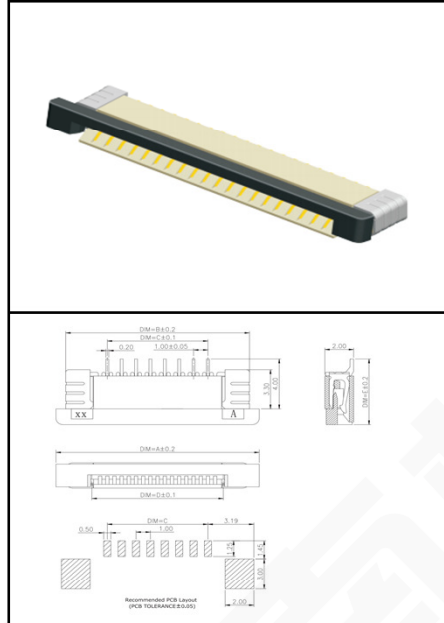
FPC050S00xx-V000101



Technical Data

Pitch	0.5mm
Pins	6-50
Current Rating	0.4A
Height	2.0mm

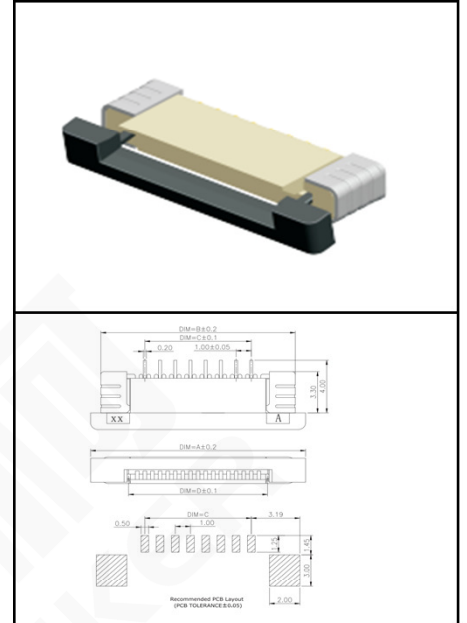
FPC100SPBxx-H000101



Technical Data

Pitch	1.0mm
Pins	4-30
Current Rating	0.5A
Height	2.0mm

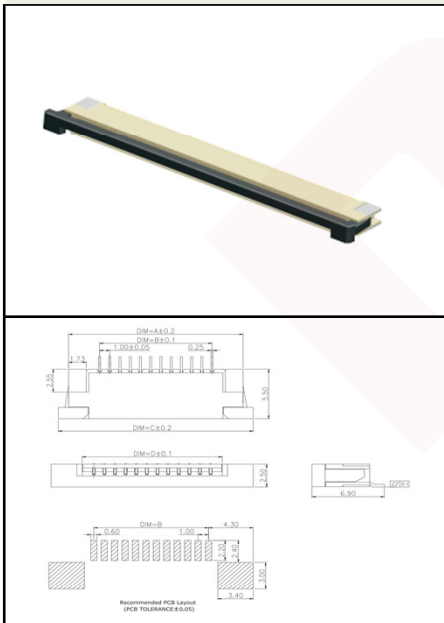
FPC100SPTxx-H000101



Technical Data

Pitch	1.0mm
Pins	4-30
Current Rating	0.5A
Height	2.0mm

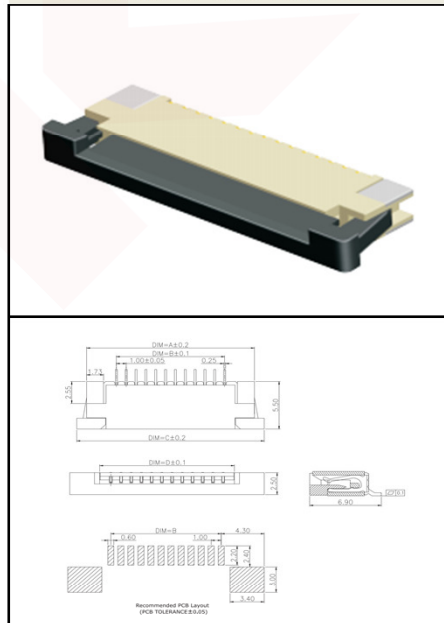
FPC100SPBxx-H000102



Technical Data

Pitch	1.0mm
Pins	4-40
Current Rating	0.5A
Height	2.5mm

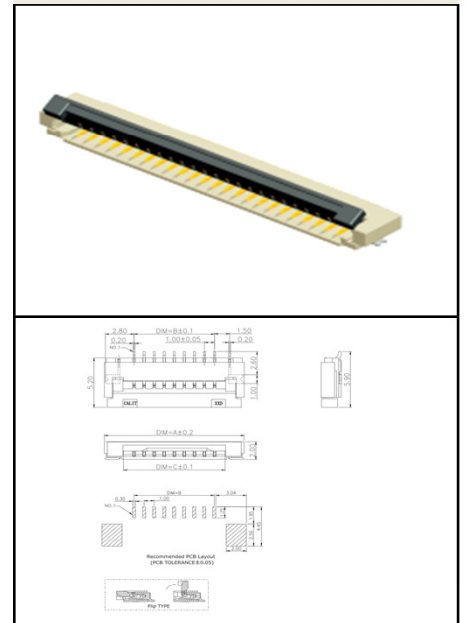
FPC100SPTxx-H000102



Technical Data

Pitch	1.0mm
Pins	4-30
Current Rating	0.5A
Height	2.5mm

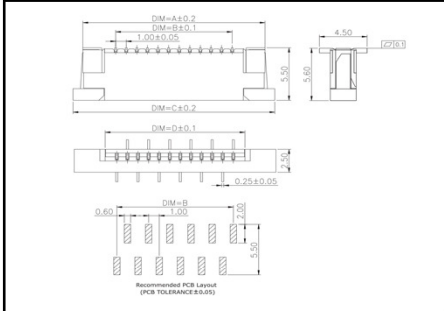
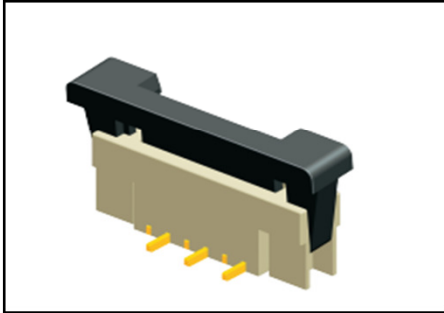
FPC100SPHBxx-H000102



Technical Data

Pitch	1.0mm
Pins	4-30
Current Rating	0.5A
Height	2.0mm

FPC100SP0xx-V000101



Technical Data

Pitch	1.0mm
Pins	4-40
Current Rating	0.5A
Height	2.5mm

FPC100SP0xx-V000102

