

EC.8

Edge Card Connector (without key)



Type: Edge card connector straight
7.8 mm height

Number of pins: 20 to 60

Pitch: 0.8 mm

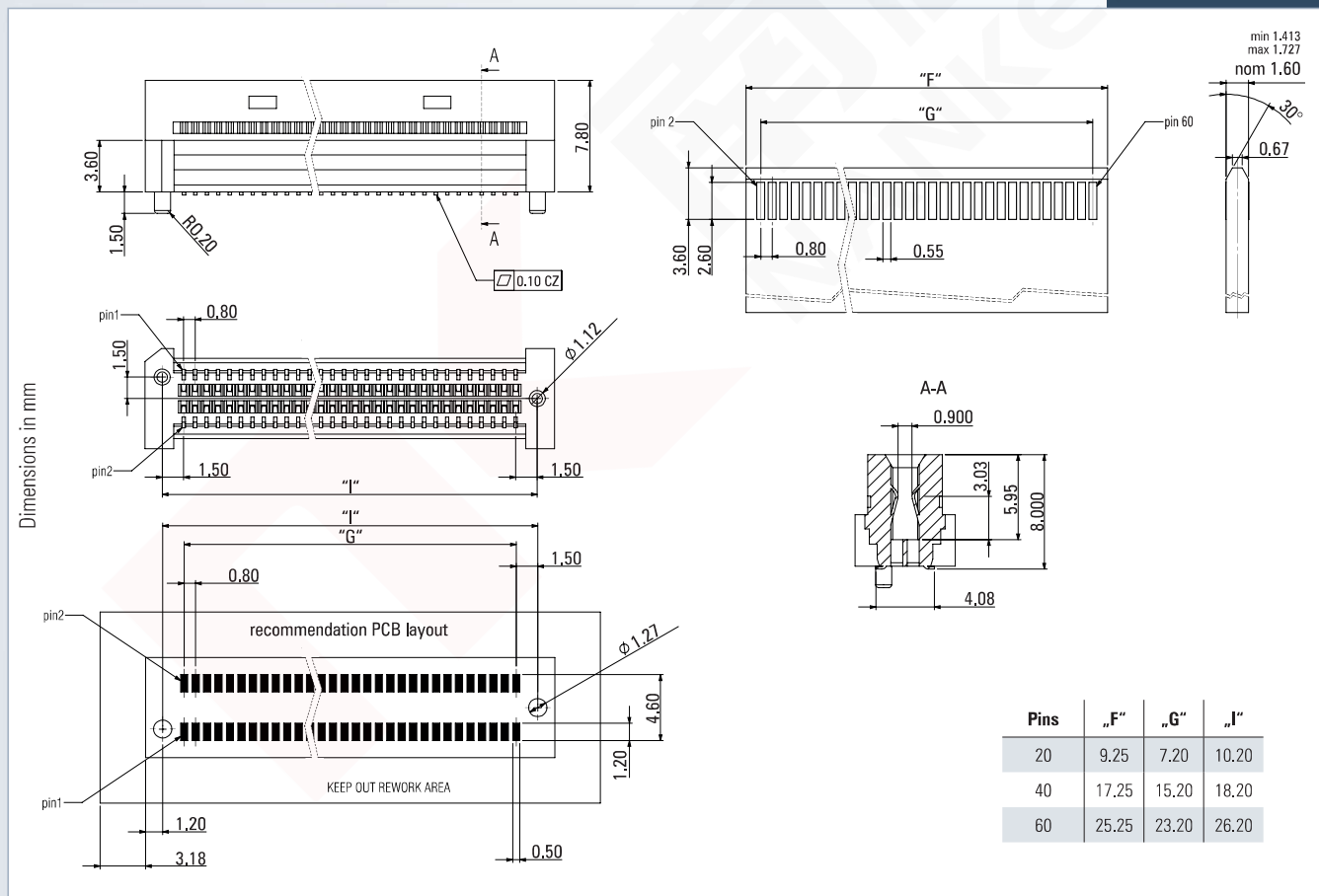
Operational current: 3.2 A at 20°C (8 adjacent pins)

Packaging: Tape & Reel

Approval: RoHS COMPLIANT

Technical Specification on page 29

For drawings and technical data visit www.ept.de/EC8



More Options:

for connectors with key (p. 32-33)



Edge Card Connector - Performance Level I

Number of pins	Part number	PU (Tape & Reel)
20	408-52020-000-11	250
40	408-52040-000-11	
60	408-52060-000-11	

EC.8

Edge Card Connector (with key)



Type: Edge card connector straight
7.8 mm height

Number of pins: 60 to 200

Pitch: 0.8 mm

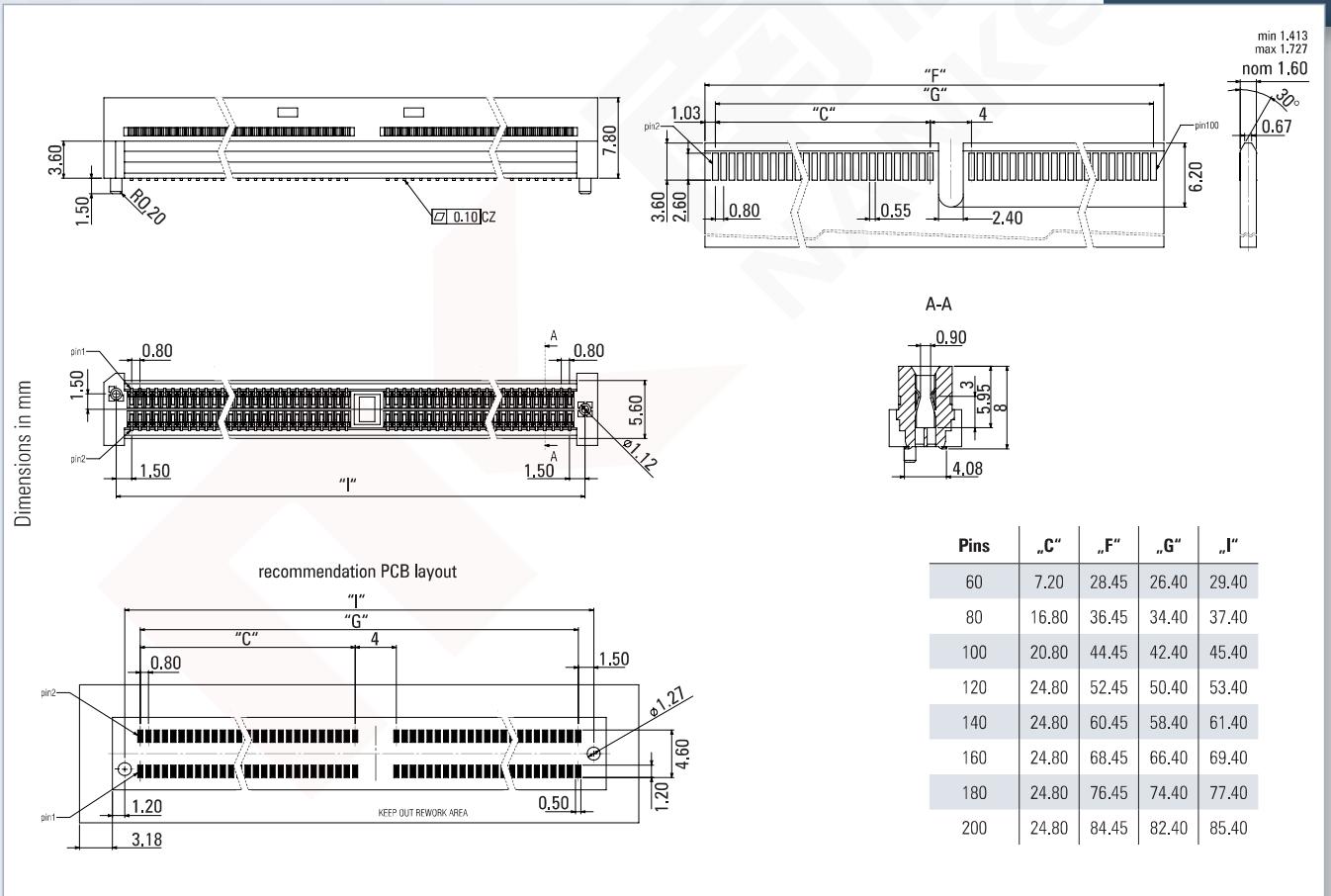
Operational current: 3.2 A at 20°C (8 adjacent pins)

Packaging: Tape & Reel, Tray

Approval: RoHS COMPLIANT

Technical Specification on page 29

For drawings and technical data visit www.ept.de/EC8



More Options:

for connectors without key (p. 30-31)



Edge Card Connector - Performance Level I . . .

Number of pins	Part number	PU (Tape & Reel)
60	408-52060-100-11	250
80	408-52080-100-11	
100	408-52100-100-11	
120	408-52120-100-11	
140	408-52140-100-11	



Edge Card Connector - Performance Level I . . .

Number of pins	Part number	PU (Tray)
160	408-52160-100-12	90
180	408-52180-100-12	
200	408-52200-100-12	
	408-52200-103-12 (strengthened element along insulator)	

On Request

• Tape & Reel available