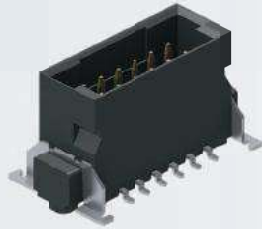


Male connector low-profile



Type: Male connector straight low-profile
1.75 mm unmated

Number of pins: 12 to 80

Pitch: 1.27 mm

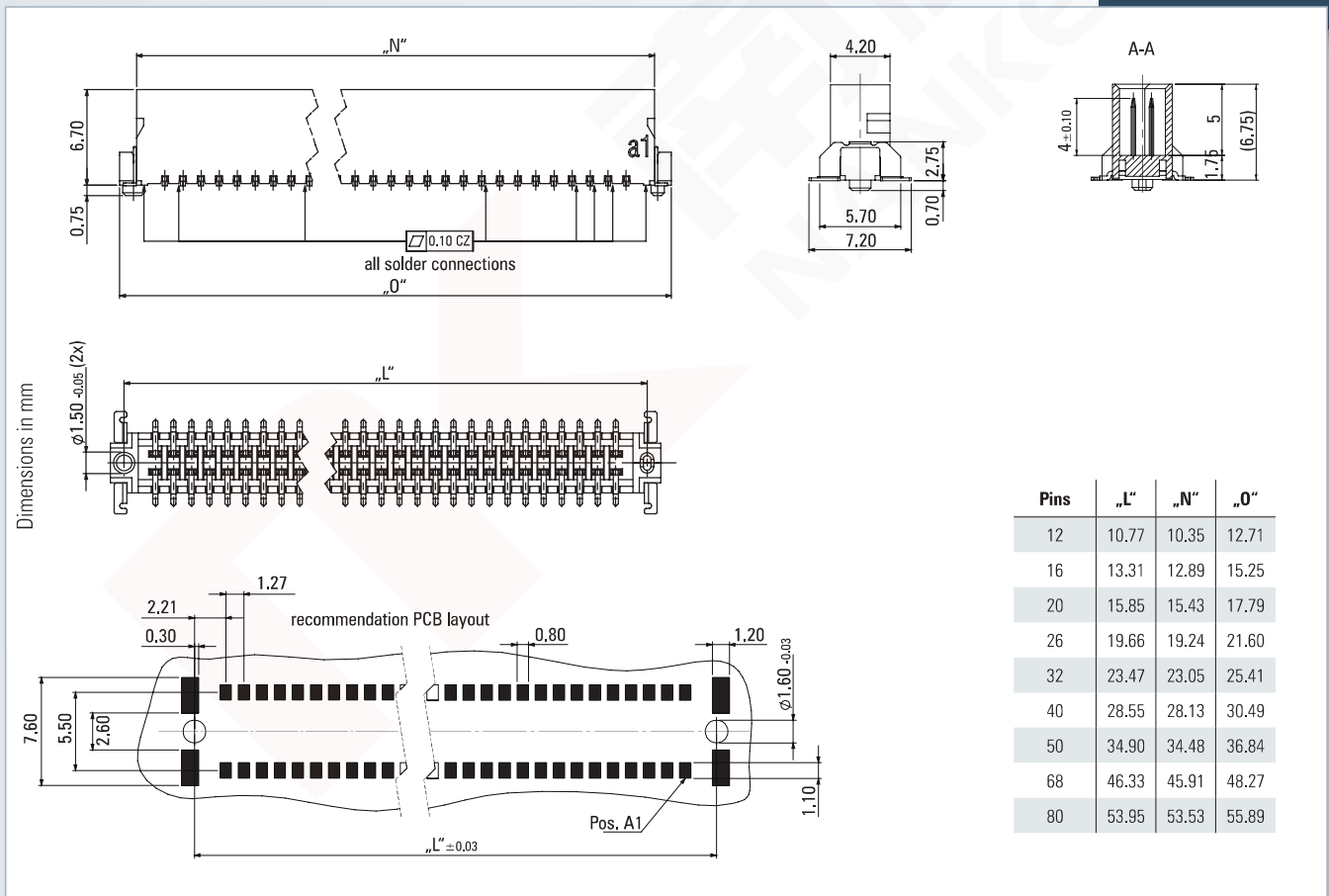
Operational current: 1.4 A at 20°C (50 pins)

Packaging: Tape & Reel

Approval: **RoHS COMPLIANT**

Technical Specification on page 39

For drawings and technical data visit www.ept.de



Mating connector / Application:

- for parallel applications (p. 46-49)
- for perpendicular applications (p. 50-51)
- for applications with cable (p. 52-55)



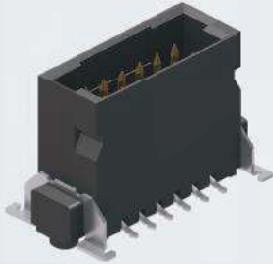
Male connector low-profile - Performance level I

Number of pins	Part number	PU (Tape & Reel)
12	403-52012-51	280
16	403-52016-51	
20	403-52020-51	
26	403-52026-51	
32	403-52032-51	
40	403-52040-51	
50	403-52050-51	
68	403-52068-51	
80	403-52080-51	

On request

- different number of pins
- other performance level

Male connector mid-profile



Type: Male connector straight mid-profile
3.25 mm unmated

Number of pins: 12 to 80

Pitch: 1.27 mm

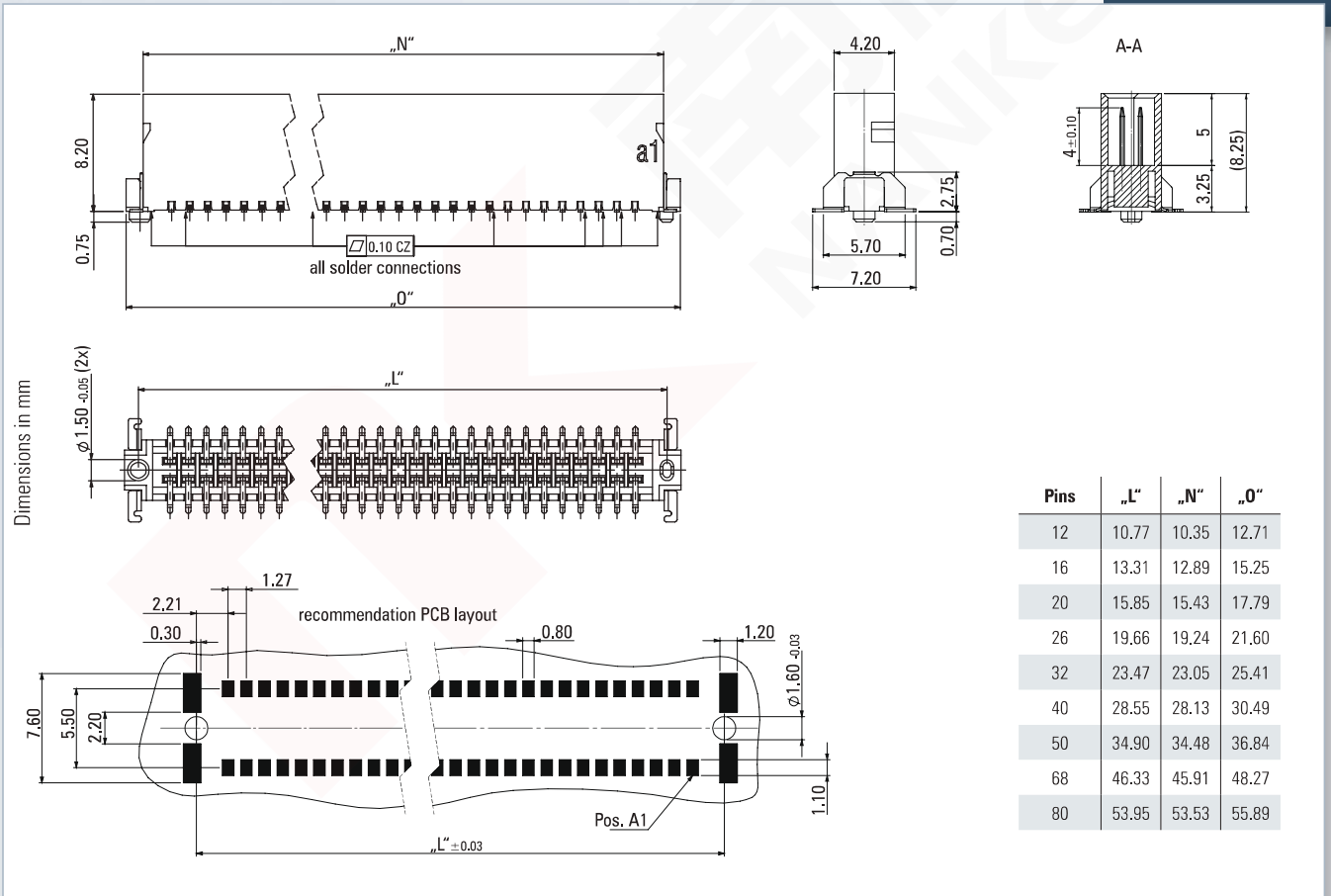
Operational current: 1.4 A at 20°C (50 pins)

Packaging: Tape & Reel

Approval: RoHS COMPLIANT

Technical Specification on page 39

For drawings and technical data visit www.ept.de



Mating connector / Application:

- for parallel applications (p. 46-49)
- for perpendicular applications (p. 50-51)
- for applications with cable (p. 52-55)



Male connector mid-profile - Performance level I

Number of pins	Part number	PU (Tape & Reel)
12	403-53012-51	280
16	403-53016-51	
20	403-53020-51	
26	403-53026-51	
32	403-53032-51	
40	403-53040-51	
50	403-53050-51	
68	403-53068-51	
80	403-53080-51	

On request

- different number of pins
- other performance level

Male connector angled



Type: Male connector angled

Number of pins: 12 to 80

Pitch: 1.27 mm

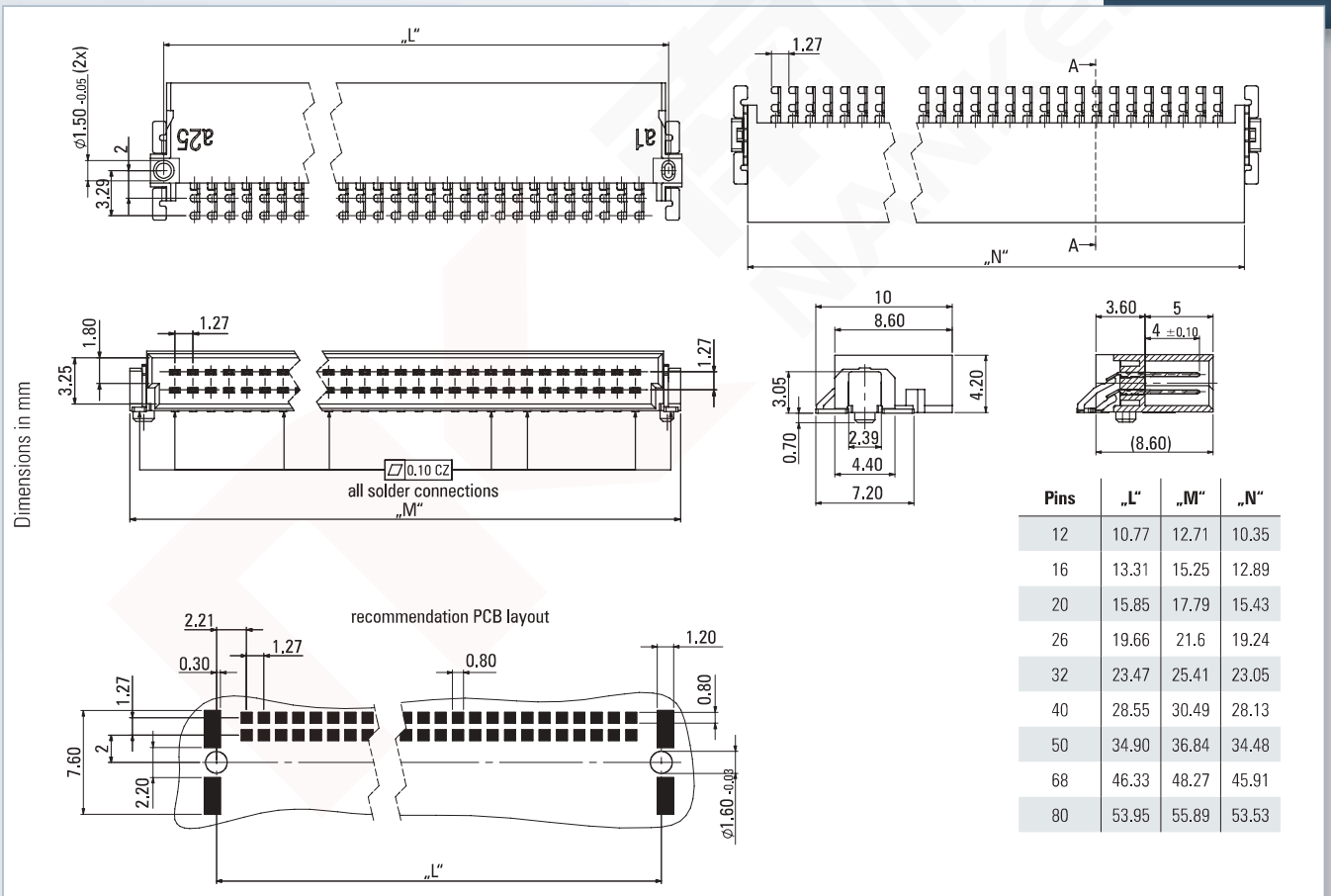
Operational current: 1.4 A at 20°C (50 pins)

Packaging: Tape & Reel

Approval: **RoHS COMPLIANT**

Technical Specification on page 39

For drawings and technical data visit www.ept.de



Mating connector / Application:

- for horizontal applications (p. 50-51)
- for perpendicular applications (p. 46-49)
- for applications with cable (p. 52-55)



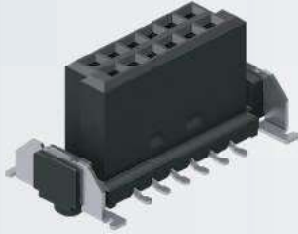
Male connector angled - Performance level I

Number of pins	Part number	PU (Tape & Reel)
12	403-51012-51	560
16	403-51016-51	
20	403-51020-51	
26	403-51026-51	
32	403-51032-51	
40	403-51040-51	
50	403-51050-51	
68	403-51068-51	
80	403-51080-51	

On request

- different number of pins
- other performance level

Female connector low-profile



Type: Female connector straight low-profile
6.25 mm unmated

Number of pins: 12 to 80

Pitch: 1.27 mm

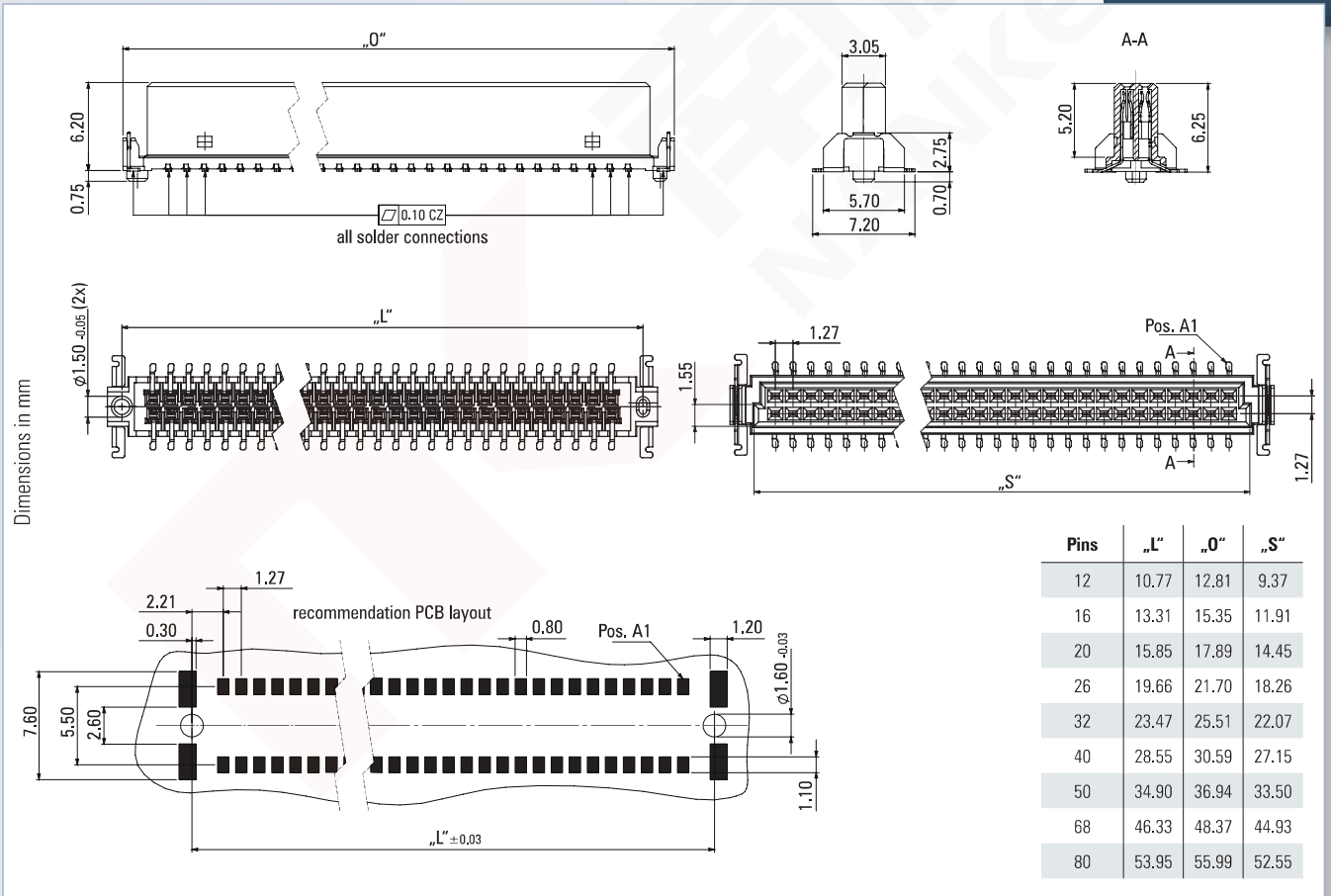
Operational current: 1.4 A at 20°C (50 pins)

Packaging: Tape & Reel

Approval:

Technical Specification on page 39

For drawings and technical data visit www.ept.de



Mating connector / Application:

for parallel applications (p. 40-43)

for perpendicular applications (p. 44-45)



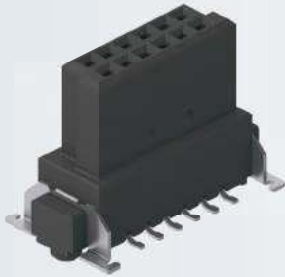
Female connector low-profile - Performance level I

Number of pins	Part number	PU (Tape & Reel)
12	404-52012-51	280
16	404-52016-51	
20	404-52020-51	
26	404-52026-51	
32	404-52032-51	
40	404-52040-51	
50	404-52050-51	
68	404-52068-51	
80	404-52080-51	

On request

- different number of pins
- other performance level

Female connector mid-profile



Type: Female connector straight mid-profile
9,05 mm unmated

Number of pins: 12 to 80

Pitch: 1.27 mm

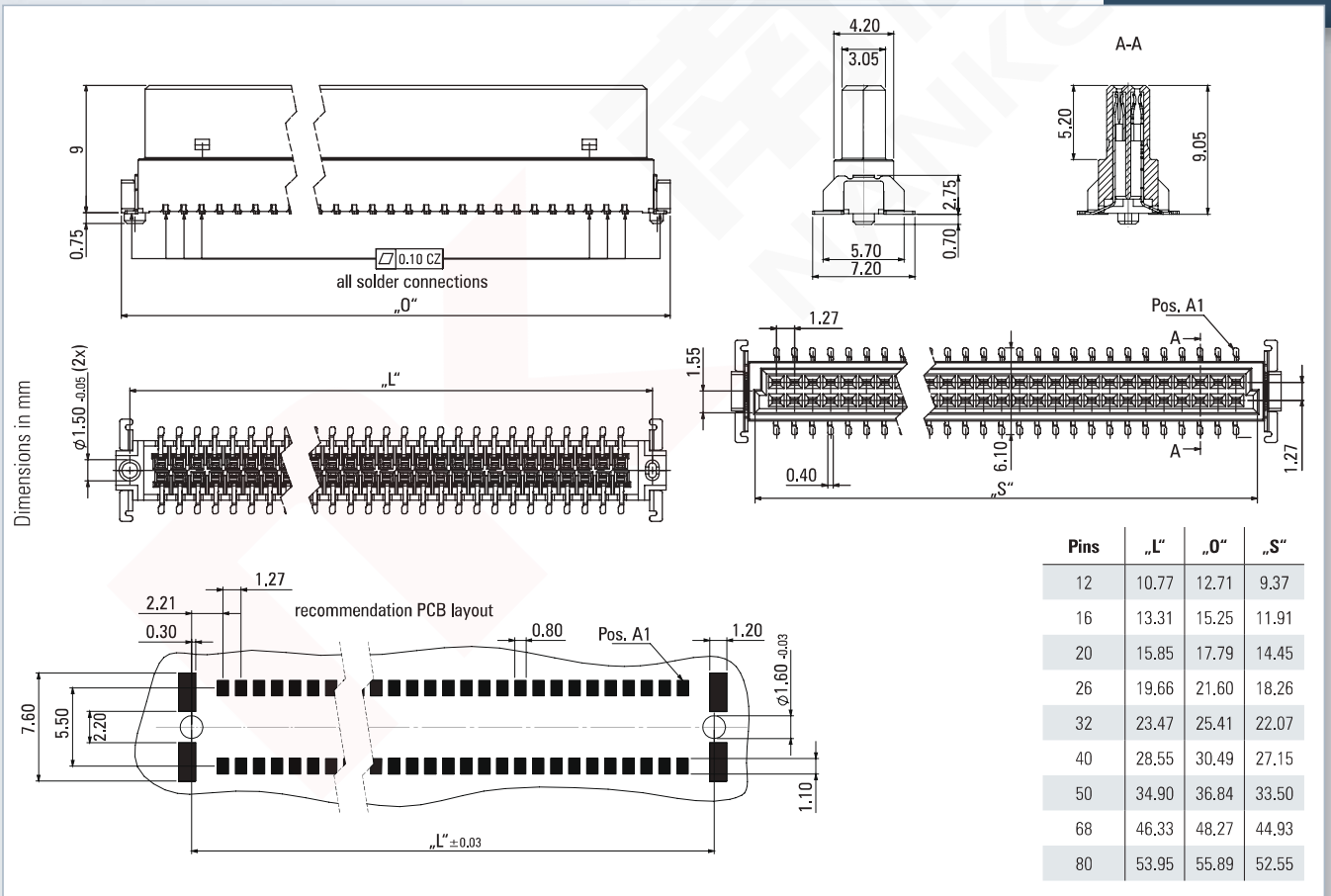
Operational current: 1.4 A at 20°C (50 pins)

Packaging: Tape & Reel

Approval: RoHS COMPLIANT

Technical Specification on page 39

For drawings and technical data visit www.ept.de



Mating connector / Application:

for parallel applications (p. 40-43)

for perpendicular applications (p. 44-45)



Female connector mid-profile - Performance level I

Number of pins	Part number	PU (Tape & Reel)
12	404-53012-51	280
16	404-53016-51	
20	404-53020-51	
26	404-53026-51	
32	404-53032-51	
40	404-53040-51	
50	404-53050-51	
68	404-53068-51	
80	404-53080-51	

On request

- different number of pins
- other performance level

Female connector angled



Type: Female connector angled

Number of pins: 12 to 80

Pitch: 1.27 mm

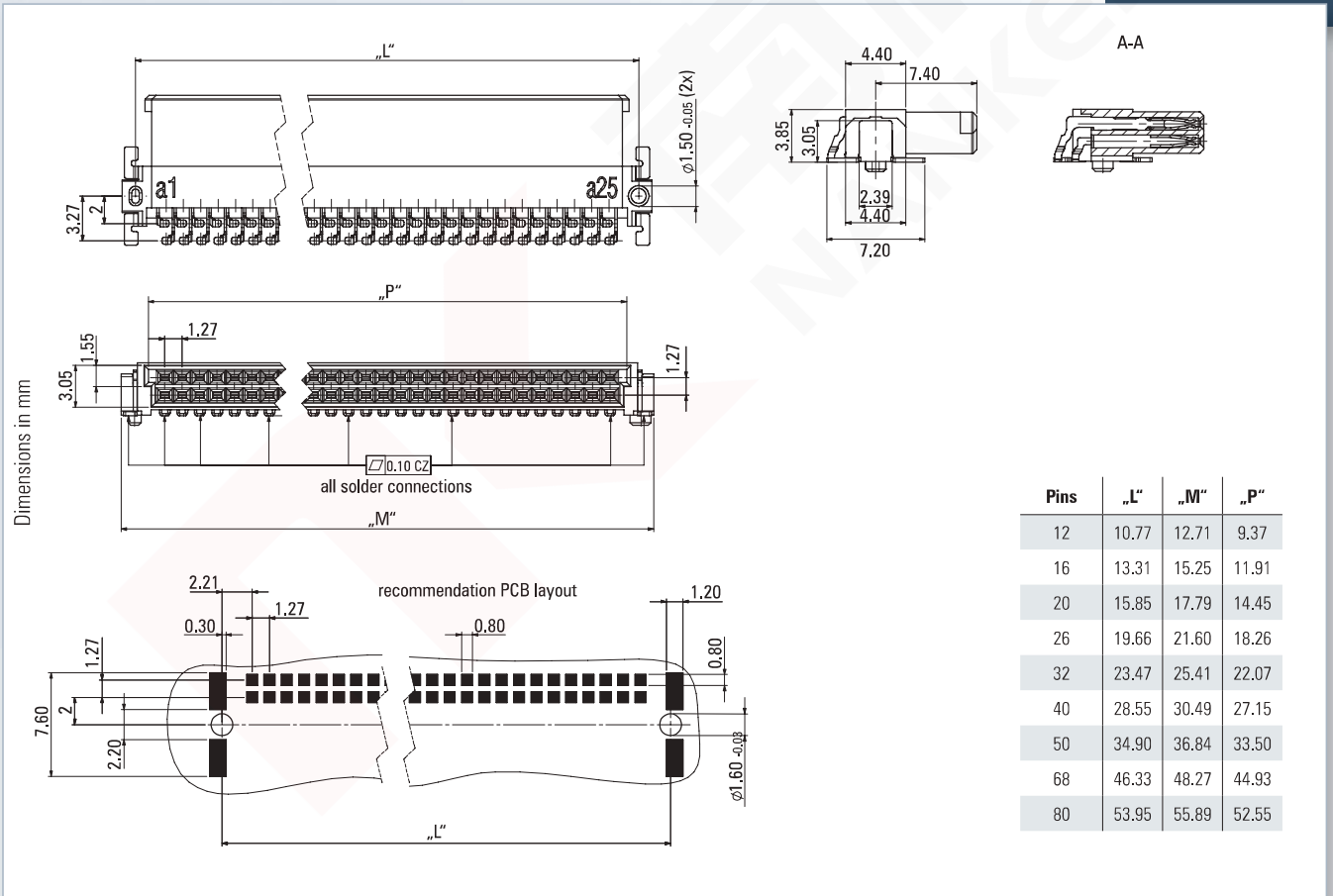
Operational current: 1.4 A at 20°C (50 pins)

Packaging: Tape & Reel

Approval: **RoHS COMPLIANT**

Technical Specification on page 39

For drawings and technical data visit www.ept.de



Mating connector / Application:

for horizontal applications (p. 44-45)

for perpendicular applications (p. 40-43)



Female connector angled - Performance level I

Number of pins	Part number	PU (Tape & Reel)
12	404-51012-51	560
16	404-51016-51	
20	404-51020-51	
26	404-51026-51	
32	404-51032-51	
40	404-51040-51	
50	404-51050-51	
68	404-51068-51	
80	404-51080-51	

On request

- different number of pins
- other performance level

Female connector IDC



Type: Female connector IDC

Number of pins: 12 to 80

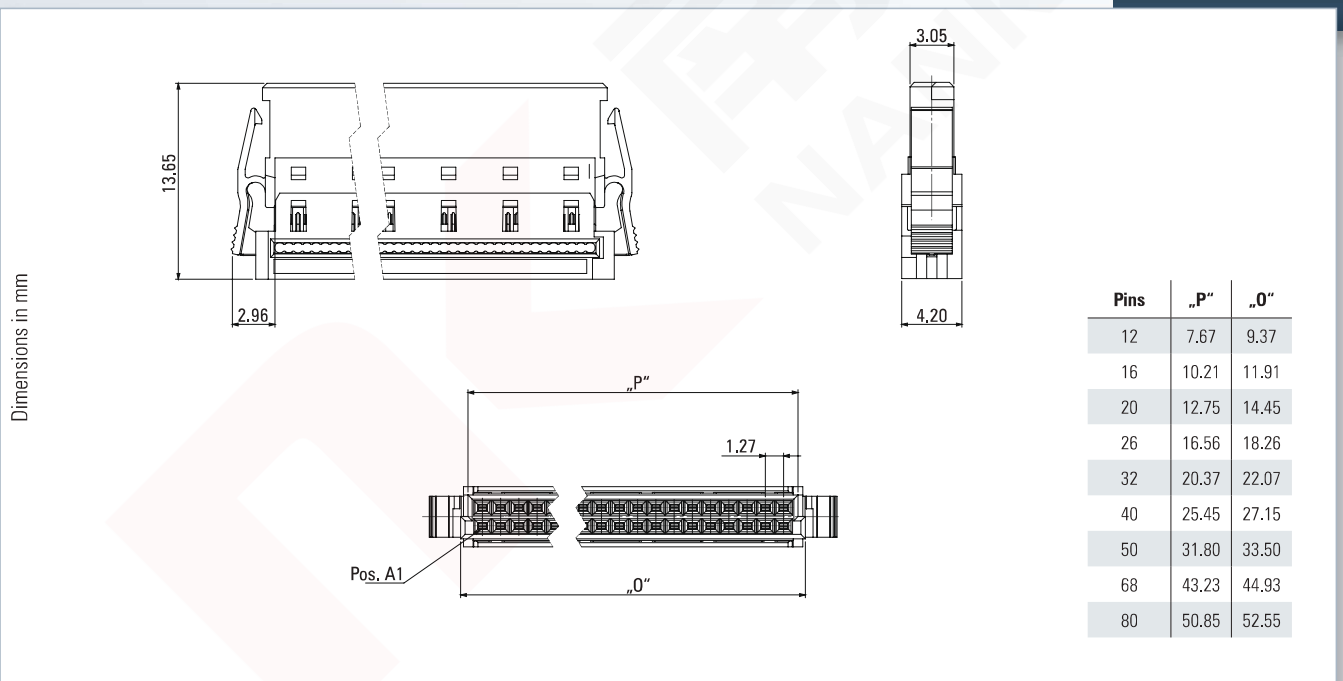
Pitch: 1.27 mm

Packaging: Tray

Approval: 

Technical Specification on page 39




For drawings and technical data visit www.ept.de



Note

The female IDC is designed to be reused for cable assembly. Observe the recommendations for processing at www.ept.de.

Mating connector / Application:

-  Mating connector straight (p. 40-43)
-  Mating connector angled (p. 44-45)
-  Cable assembly for female IDC (p. 54-55)



Female connector IDC - Performance level I

Number of pins	Part number	PU (Tray)
12	404-59012-61	60/480
16	404-59016-61	50/400
20	404-59020-61	45/360
26	404-59026-61	35/280
32	404-59032-61	30/240
40	404-59040-61	25/200
50	404-59050-61	20/160
68	404-59068-61	15/120
80	404-59080-61	15/120

On request

- different number of pins
- other performance level
- pre-assembled with cable (p. 26-27)

One27 Female IDC pre-assembled with cable



- female connector IDC see p. 24 and 25
- user defines orientation of connectors, number of pins and cable length
- Cable AWG 30/7 - cross section 0.06 mm²
- assembly in insulation displacement connectors (IDC)
- type of cable PVC: -30°C to +105°C (in idle state)
- colored lead on a1

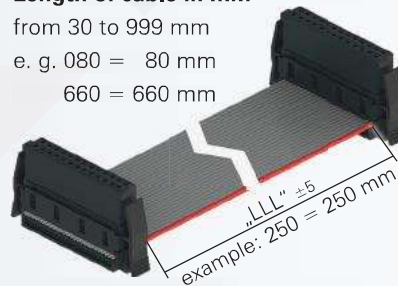
Product key

404 - 61NN - LLL - CCC - 1

see next page

Length of cable in mm

from 30 to 999 mm
e. g. 080 = 80 mm
660 = 660 mm



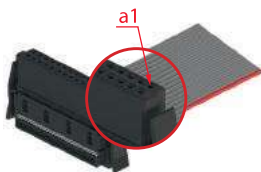
Number of pins

12, 16, 20, 26, 32, 40, 50, 68, 80

Assembled versions

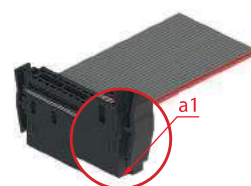
Assembled version 100

Part number
404-61NN-LLL-100-1



Assembled version 400

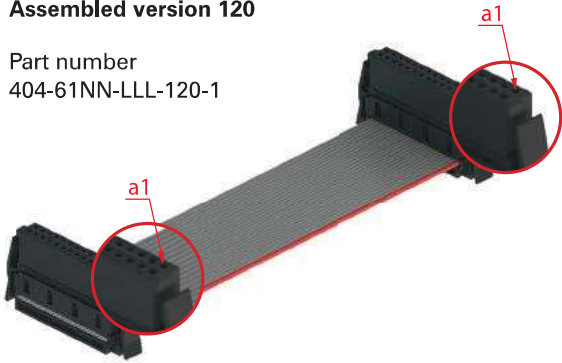
Part number
404-61NN-LLL-400-1



Assembled versions

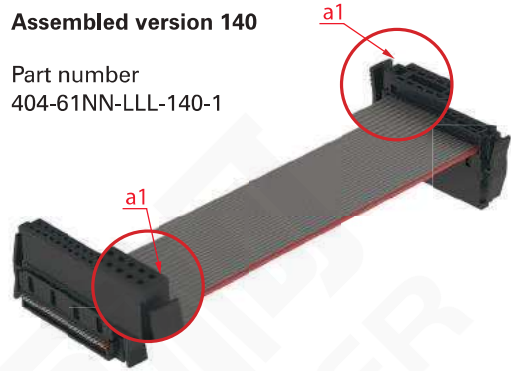
Assembled version 120

Part number
404-61NN-LLL-120-1



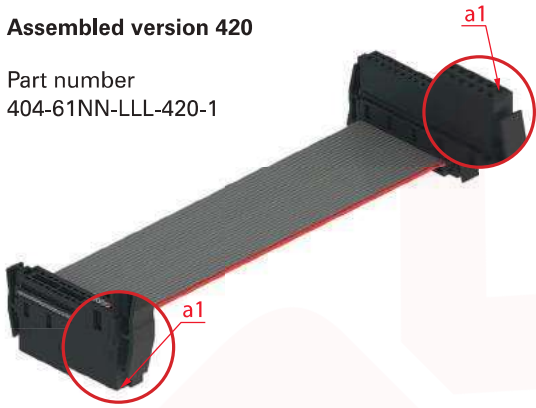
Assembled version 140

Part number
404-61NN-LLL-140-1



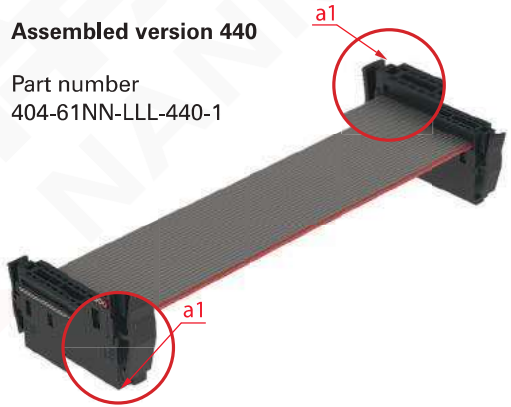
Assembled version 420

Part number
404-61NN-LLL-420-1



Assembled version 440

Part number
404-61NN-LLL-440-1



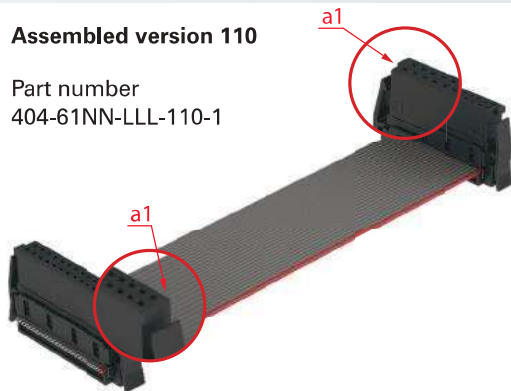
Assembled version 130

Part number
404-61NN-LLL-130-1



Assembled version 110

Part number
404-61NN-LLL-110-1



On request

- on request we can also provide
- other assembled versions
- cable length > 1.000 mm