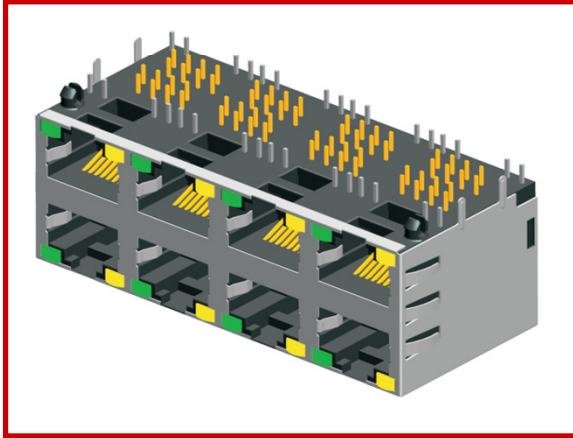


### RJ连接器

Registered Jack



#### 特性

Characteristics

统一标准的RJ接口

Unified standard Registered Jack

#### 产品类型

Product Range

RJ45, RJ11

Part Number:

RJ45 8P8C D 1 0 0 - H 0 0 0 xxx

① ② ③ ④ ⑤ ⑥ — ⑦ ⑧ ⑨ ⑩ ⑪

① Type:RJ45,RJ11

② Product Type: 8P8C

③ Solder Type: D-DIP,S-SMT,

④ Port:1-1X1,8-1X8,A-2X1,B-2X2

⑤ Shielding:0-Non-Shielding, 1-Shielding

⑥ LED: 0-No Led, 1-with Led

⑦ Structure: V-Vertical,H-Horizontal

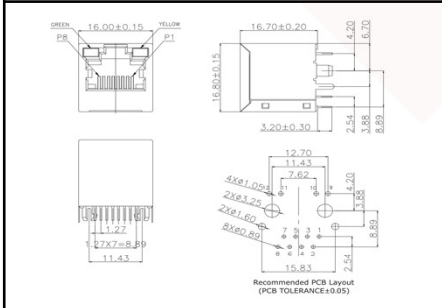
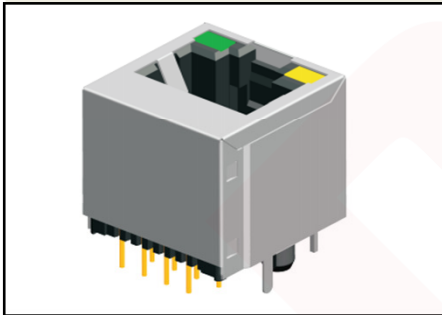
⑧ Material And Colour: 0-Standard

⑨ Packaging:0-Standard

⑩ Plated: 0-Standard

⑪ Series Number

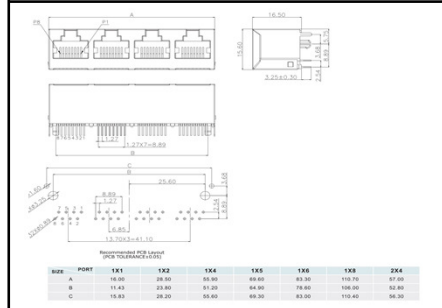
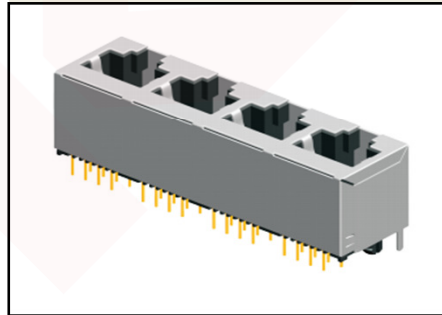
#### RJ458P8CD111-V000101



#### Technical Data

Product Type: RJ45  
Pins: 8  
Current Rating: 1.5A

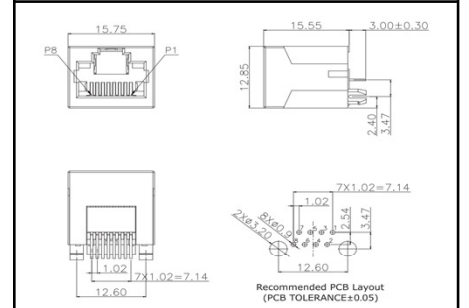
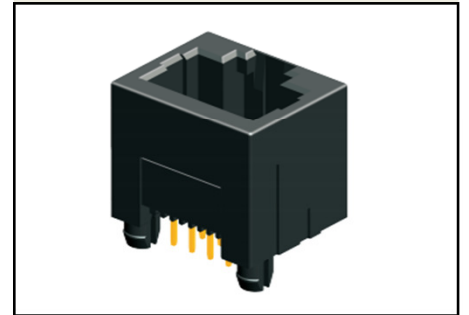
#### RJ458P8CDx10-V000101



#### Technical Data

Product Type: RJ45  
Pins: 8  
Current Rating: 1.5A

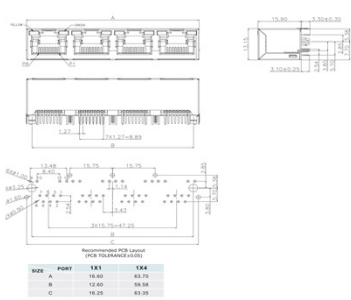
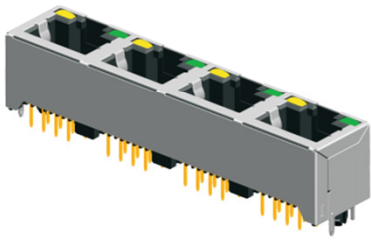
#### RJ458P8CD100-V000101



#### Technical Data

Product Type: RJ45  
Pins: 8  
Current Rating: 1.5A

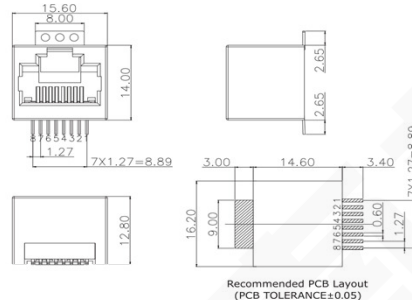
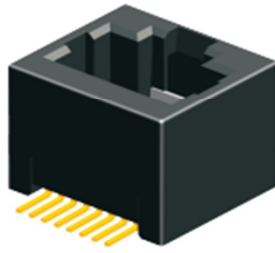
### RJ458P8CDx11-V000101



#### Technical Data

Product Type: RJ45  
Pins: 8  
Current Rating: 1.5A

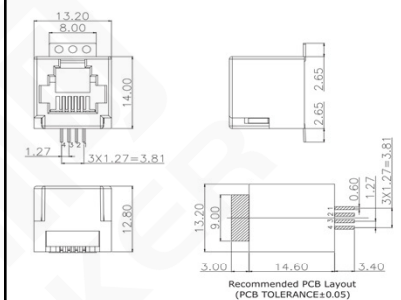
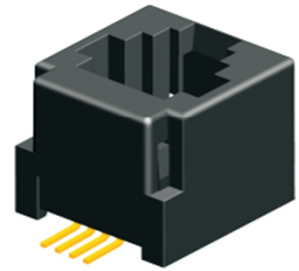
### RJ458P8CS100-V000101



#### Technical Data

Product Type: RJ45  
Pins: 8  
Current Rating: 1.5A

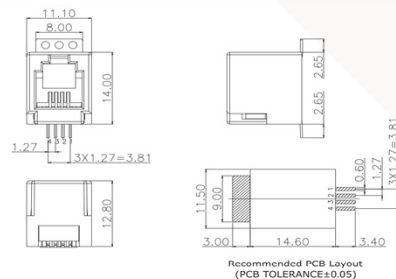
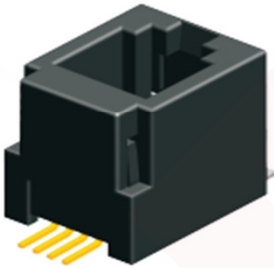
### RJ116P4CS100-V000101



#### Technical Data

Product Type: RJ11  
Pins: 4  
Current Rating: 1.5A

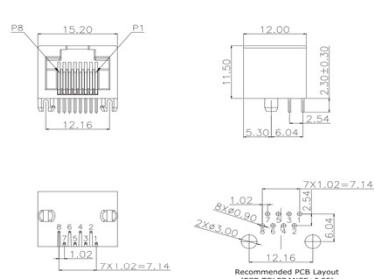
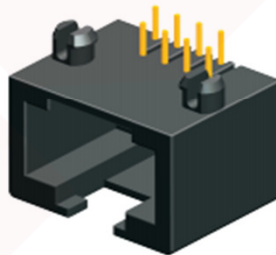
### RJ114P4CS100-V000101



#### Technical Data

Product Type: RJ11  
Pins: 4  
Current Rating: 1.5A

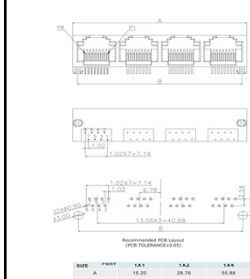
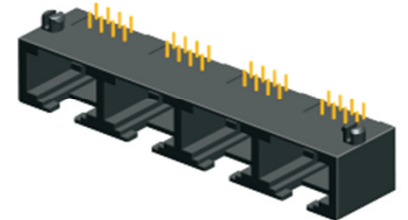
### RJ458P8CD100-H000101



#### Technical Data

Product Type: RJ45  
Pins: 8  
Current Rating: 1.5A

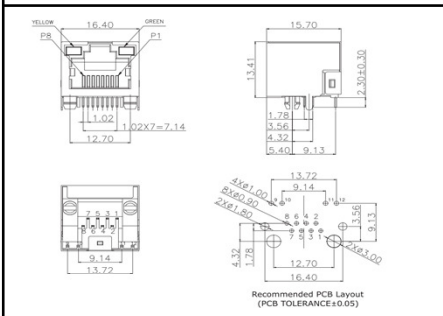
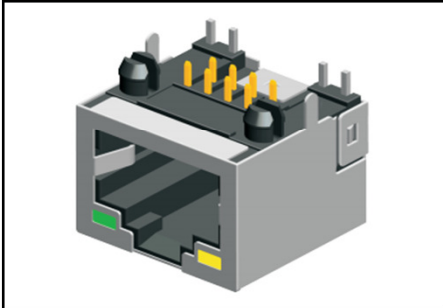
### RJ458P8CDx00-H000101



#### Technical Data

Product Type: RJ45  
Pins: 8  
Current Rating: 1.5A

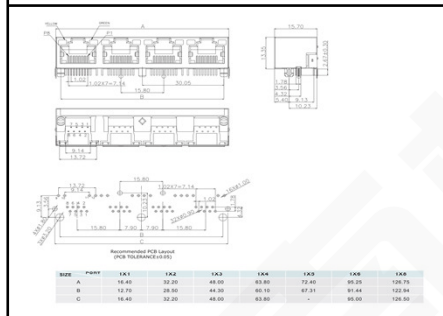
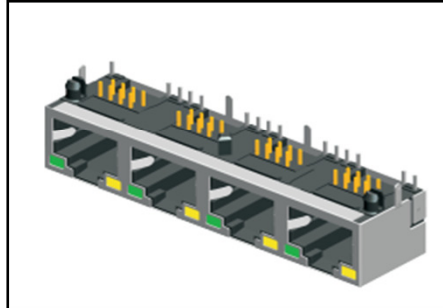
### RJ458P8CD111-H000102



#### Technical Data

Product Type: RJ45  
 Pins: 8  
 Current Rating: 1.5A

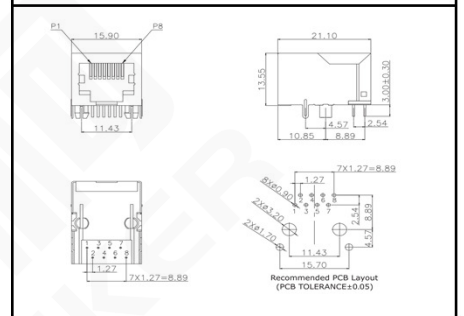
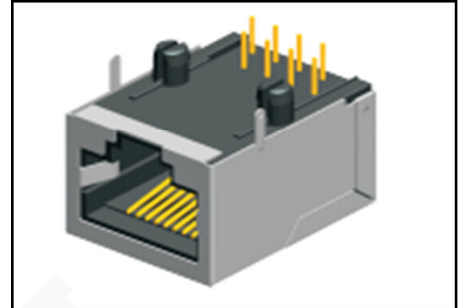
### RJ458P8CDx11-H000102



#### Technical Data

Product Type: RJ45  
 Pins: 8  
 Current Rating: 1.5A

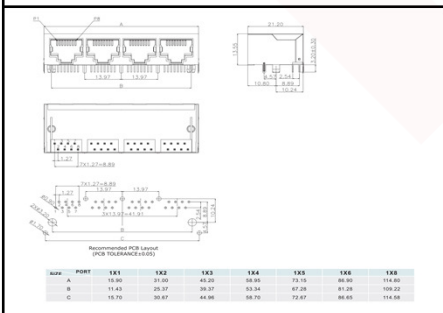
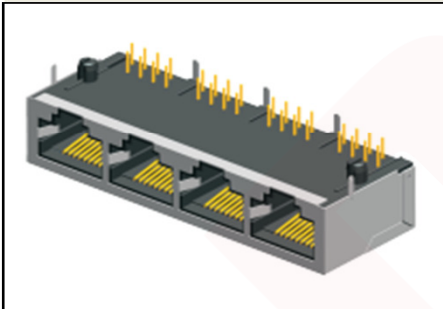
### RJ458P8CD110-H000103



#### Technical Data

Product Type: RJ45  
 Pins: 8  
 Current Rating: 1.5A

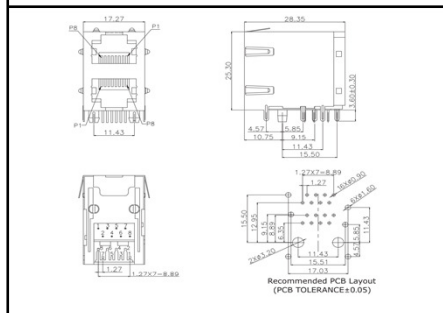
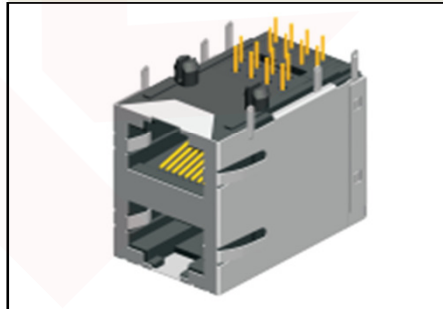
### RJ458P8CDx10-H000103



#### Technical Data

Product Type: RJ45  
 Pins: 8  
 Current Rating: 1.5A

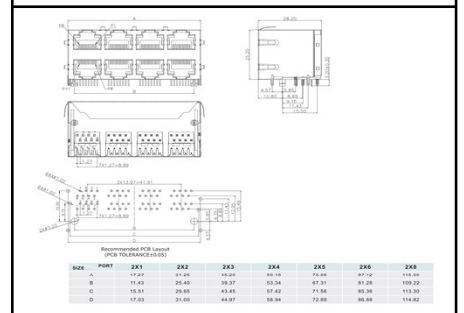
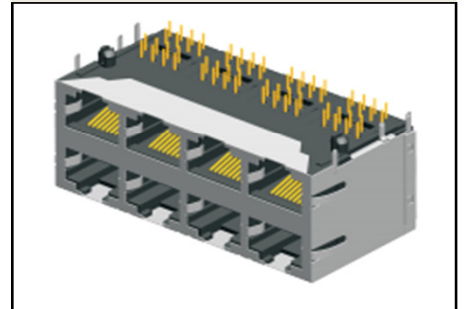
### RJ458P8CDA10-H000104



#### Technical Data

Product Type: RJ45  
 Pins: 8  
 Current Rating: 1.5A

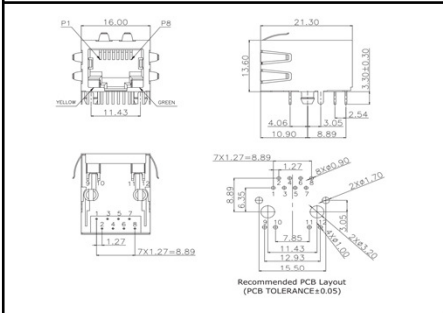
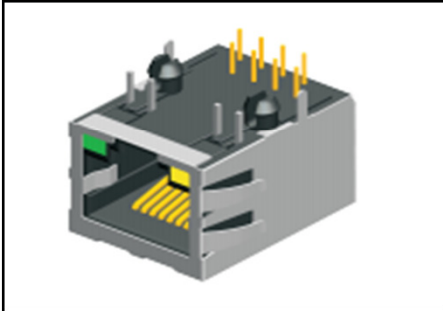
### RJ458P8CDx10-H000104



#### Technical Data

Product Type: RJ45  
 Pins: 8  
 Current Rating: 1.5A

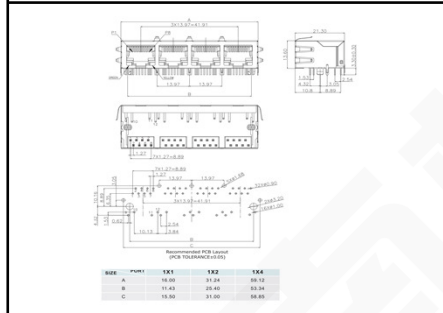
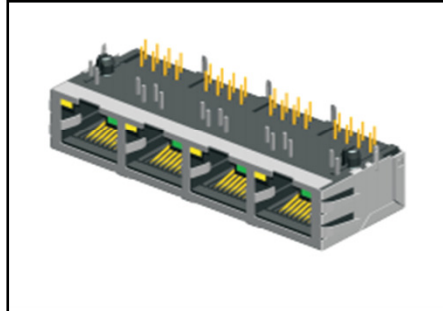
### RJ458P8CD111-H000105



#### Technical Data

Product Type:	RJ45
Pins	8
Current Rating	1.5A

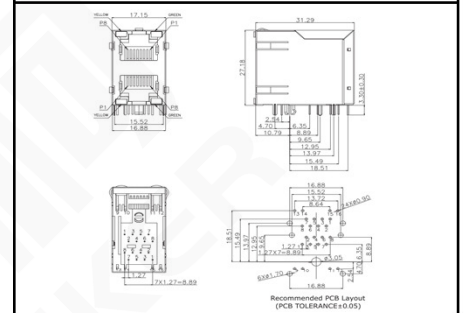
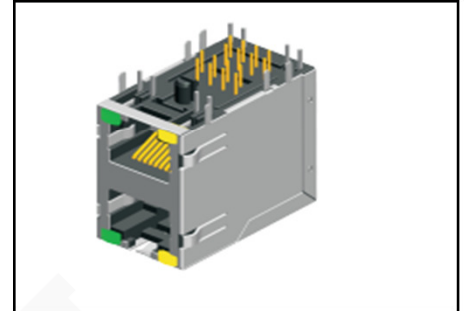
### RJ458P8CDx11-H000105



#### Technical Data

Product Type:	RJ45
Pins	8
Current Rating	1.5A

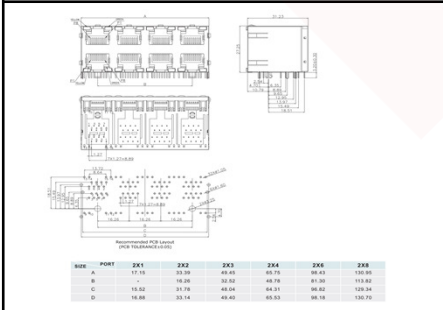
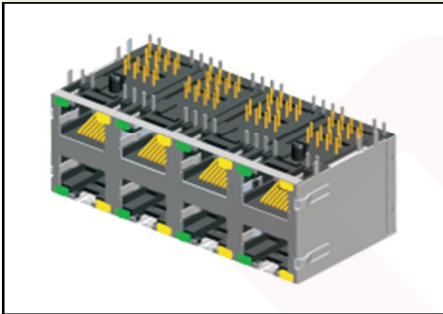
### RJ458P8CDA11-H000106



#### Technical Data

Product Type:	RJ45
Pins	8
Current Rating	1.5A

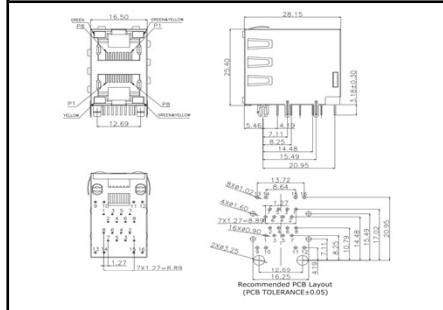
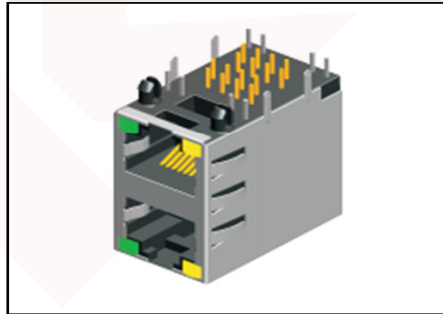
### RJ458P8CDx11-H000107



#### Technical Data

Product Type:	RJ45
Pins	8
Current Rating	1.5A

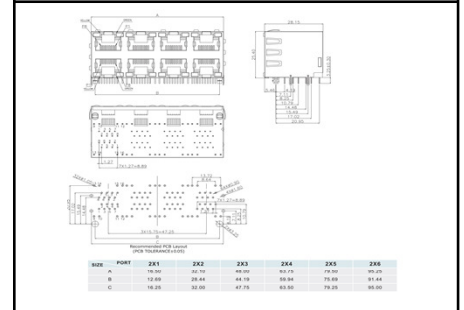
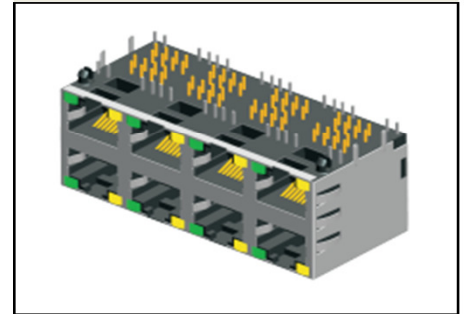
### RJ458P8CDA11-H000108



#### Technical Data

Product Type:	RJ45
Pins	8
Current Rating	1.5A

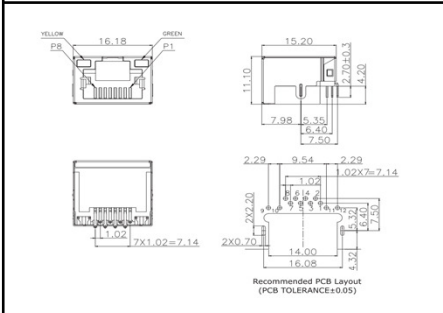
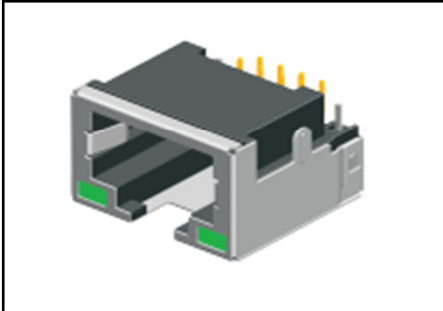
### RJ458P8CDx11-H000108



#### Technical Data

Product Type:	RJ45
Pins	8
Current Rating	1.5A

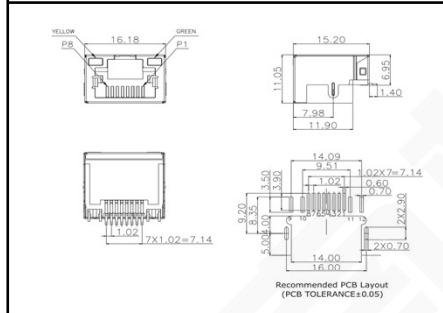
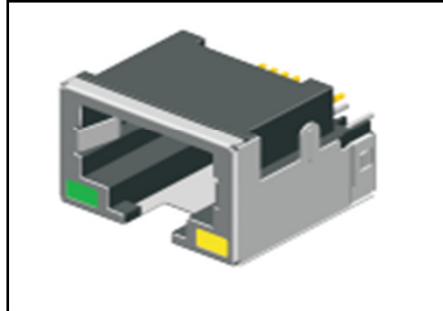
### RJ45P8CD111-H000109



#### Technical Data

Product Type: RJ45  
Pins: 8  
Current Rating: 1.5A

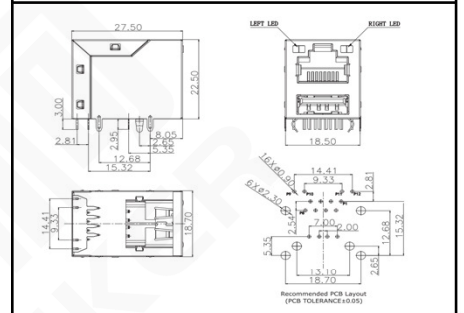
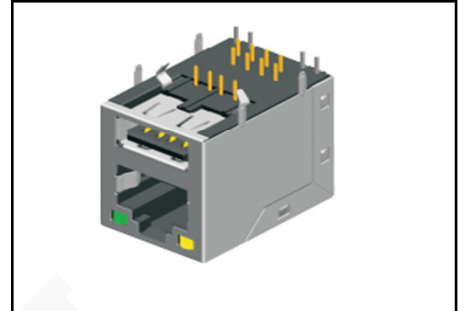
### RJ45P8CS111-H000110



#### Technical Data

Product Type: RJ45  
Pins: 8  
Current Rating: 1.5A

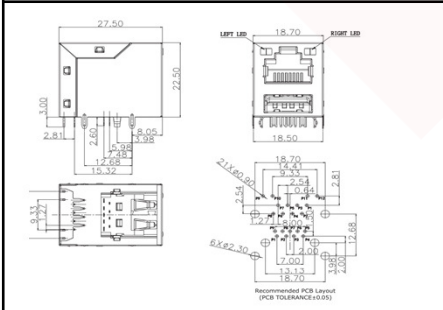
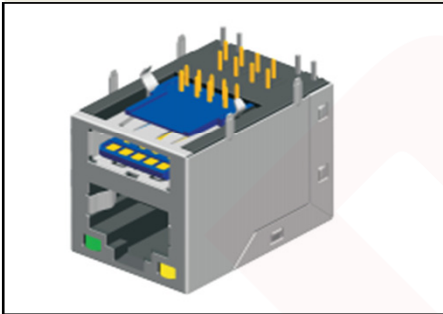
### RJ45P8CD111-H000111



#### Technical Data

Product Type: RJ45  
Pins: 8  
Current Rating: 1.5A  
USB TYPE: 2.0

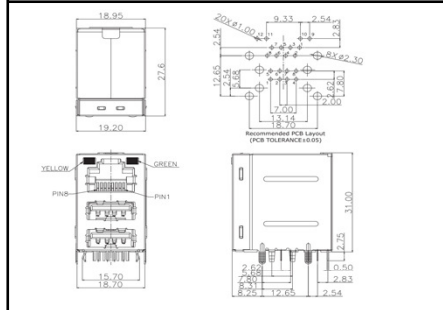
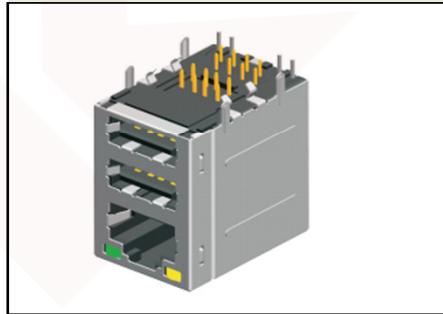
### RJ45P8CD111-H000112



#### Technical Data

Product Type: RJ45  
Pins: 8  
Current Rating: 1.5A  
USB TYPE: 3.0

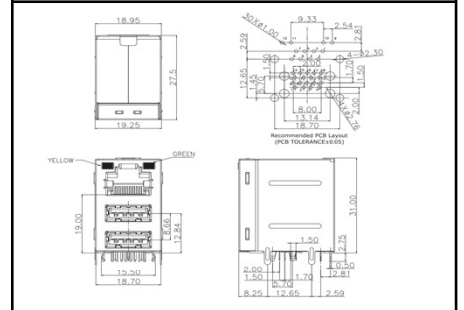
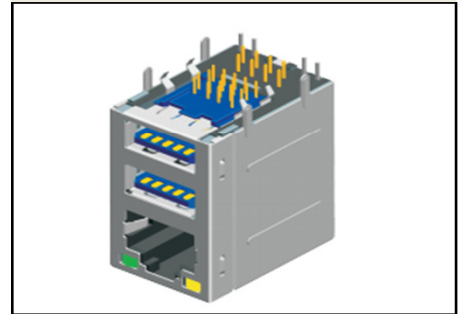
### RJ45P8CD111-H000113



#### Technical Data

Product Type: RJ45  
Pins: 8  
Current Rating: 1.5A  
USB TYPE: 2.0

### RJ45P8CD111-H000114



#### Technical Data

Product Type: RJ45  
Pins: 8  
Current Rating: 1.5A  
USB TYPE: 3.0