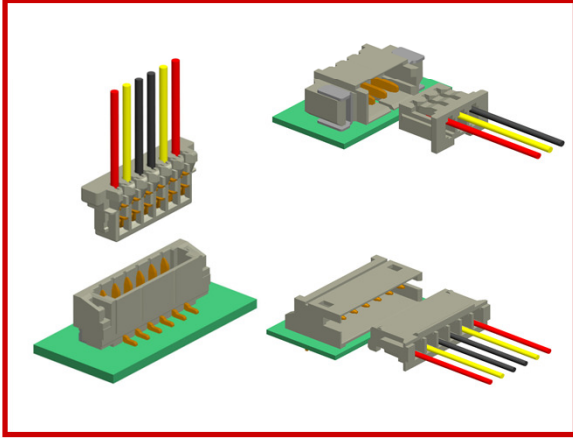


线对板连接器

Wire To Board Connector



特性

Characteristics

一个可拆卸的压接类型
一个安全且容易修复的连接
a secure and easily reparable connection.

产品间距

Product Range

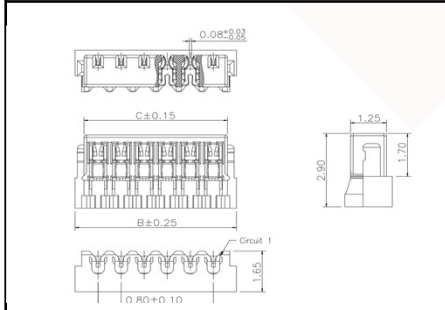
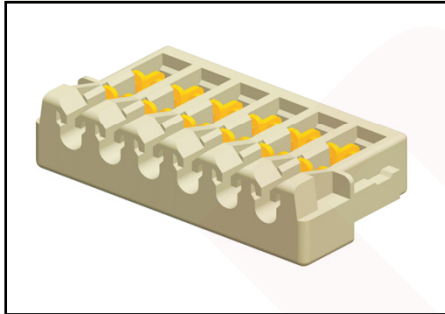
0.8,1.00,1.25,1.50,2.00,2.5,2.54,3.0,3.96,4.20

Part Number:

WTB 300 D D M 10 - V 0 0 0 xxx
 (1) (2) (3) (4) (5) (6) (7) (8) (9) (10) (11)

- (1) Type:WTB-wire to board connector,BHD-Box He
- (2) Pitch: 300-3.00mm pitch
- (3) Type: D-DIP,S-SMT,H-Housing,T-Terminal
- (4) Number Of Row: D-Double,S-Single,0 for Termir
- (5) Gender:F-Female, M-Male
- (6) Number Of Pin : 06- 6pins,10-10pins,00 for Terminal
- (7) Structure: V-Vertical,H-Honrizontal,0-housing&Terminal
- (8) Material And Colour: 0-Standard
- (9) Packaging:0-Standard
- (10) Plated: 0-Standard
- (11)Series Number

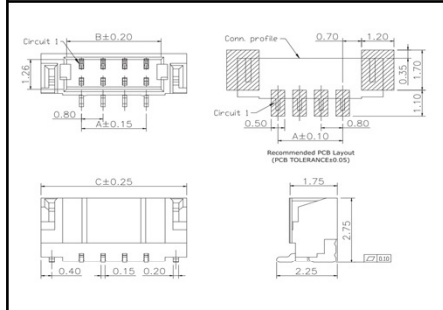
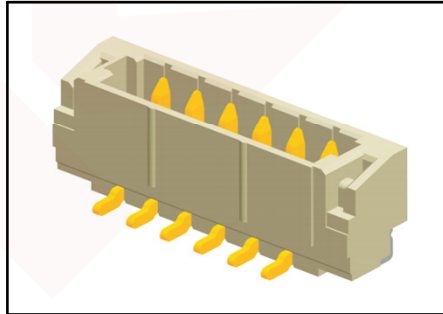
WTB080HSFxx-0000101



Technical Data

Pitch	0.8mm
Pins	2-11
Current Rating	0.5A
Wire Range	AWG32
Gender	Female

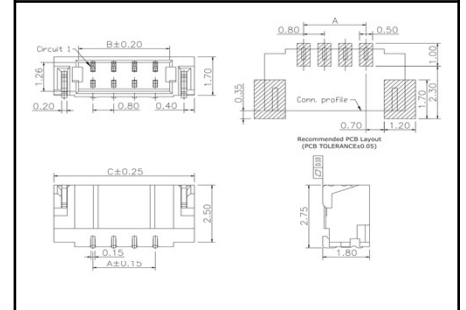
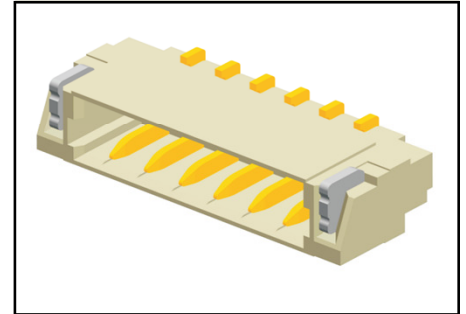
WTB080SSMxx-V000101



Technical Data

Pitch	0.8mm
Pins	2-11
Current Rating	0.5A
Solder type&Structure	SMT&Vertical
Gender	Male

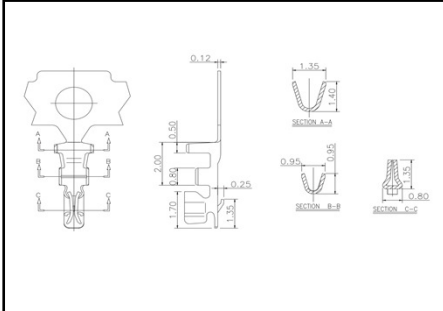
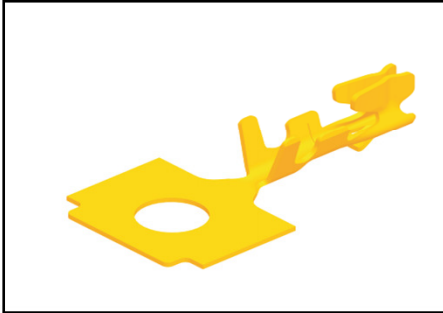
WTB080SSMxx-H000101



Technical Data

Pitch	0.8mm
Pins	2-11
Current Rating	0.5A
Solder type&Structure	SMT&Horizontal
Gender	Male

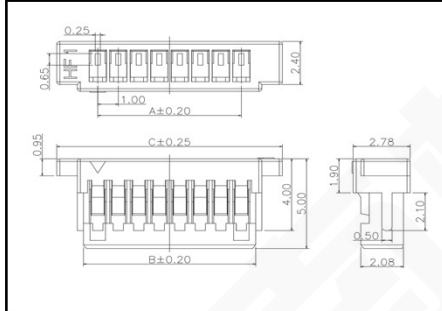
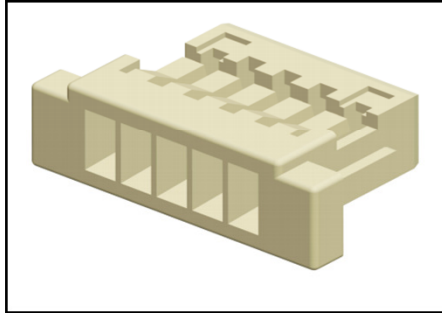
WTB100TOF00-0000101



Technical Data

Current Rating 1A
Wire range AWG28-32

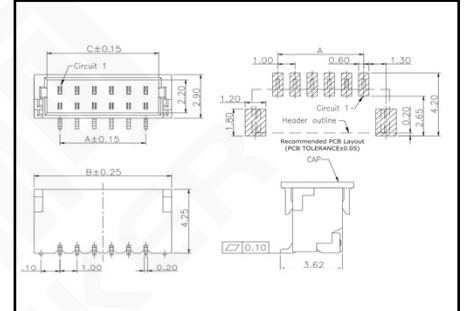
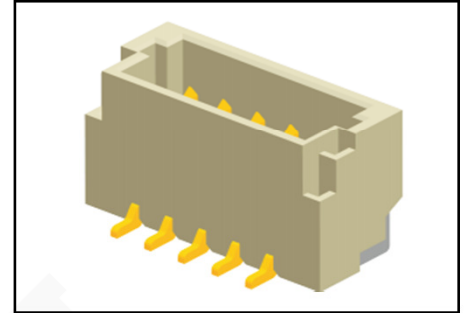
WTB100HSFxx-0000101



Technical Data

Pitch 1.00mm
Pins 2-21
Current Rating 1A

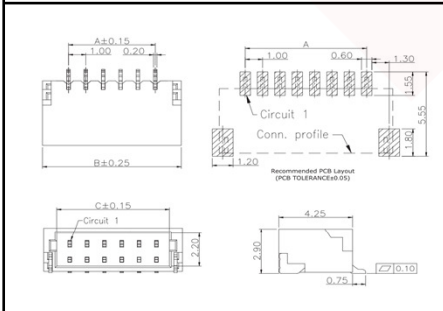
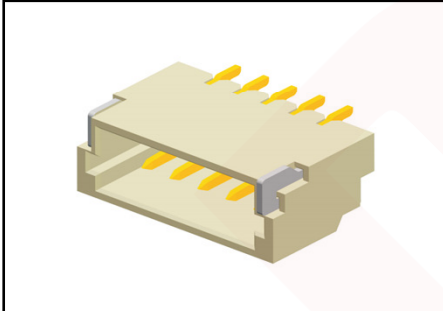
WTB100SSMxx-V000101



Technical Data

Pitch 1.00mm
Pins 2-21
Current Rating 1A
Solder type&Structure SMT&Vertical
Gender Male

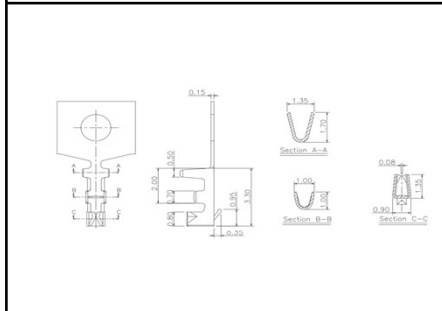
WTB100SSMxx-H000101



Technical Data

Pitch 1.00mm
Pins 2-21
Current Rating 1A
Solder type&Structure SMT&Horizontal
Gender Male

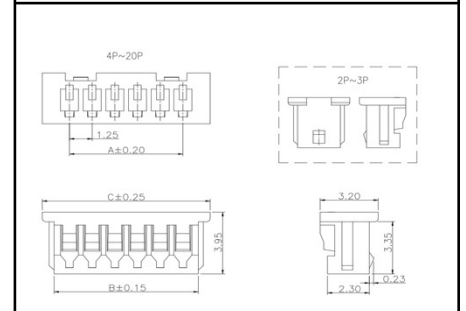
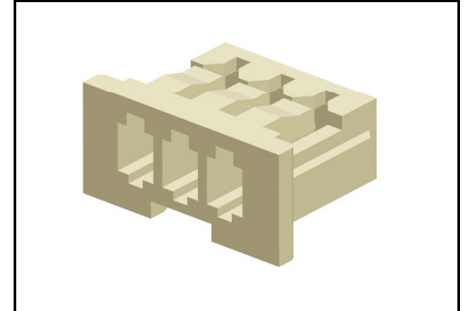
WTB125TOF00-0000101



Technical Data

Current Rating 1A
Wire range AWG28-32

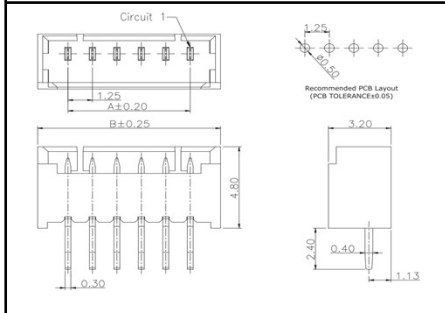
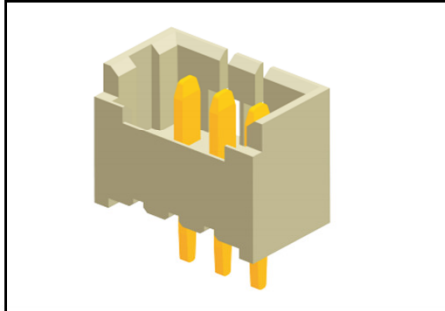
WTB125HSFxx-0000101



Technical Data

Pitch 1.25mm
Pins 2-20
Current Rating 1A

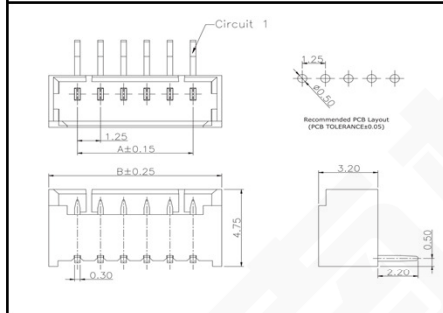
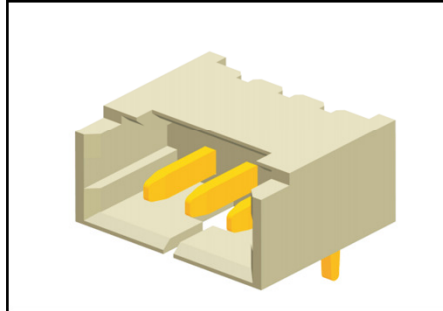
WTB125DSMxx-V000101



Technical Data

Pitch	1.25mm
Pins	2-20
Current Rating	1A
Solder type&Structure	DIP&Vertical
Gender	Male

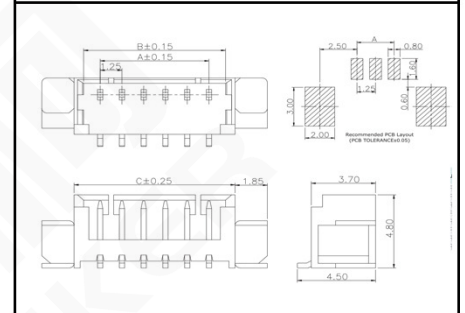
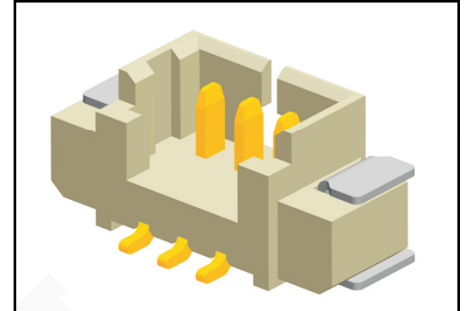
WTB125DSMxx-H000101



Technical Data

Pitch	1.25mm
Pins	2-20
Current Rating	1A
Solder type&Structure	DIP&Horizontal
Gender	Male

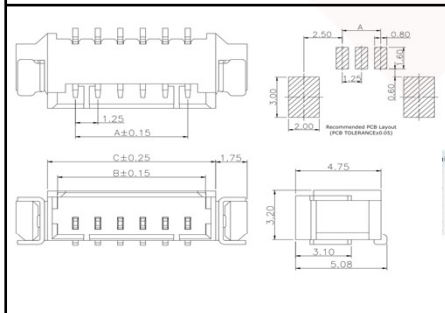
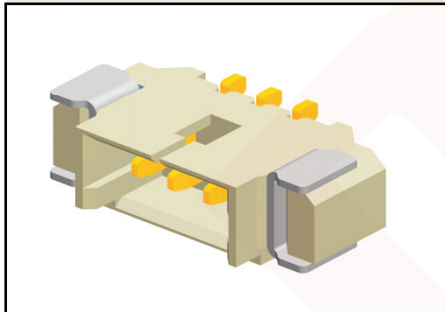
WTB125SSMxx-V000101



Technical Data

Pitch	1.25mm
Pins	2-20
Current Rating	1A
Solder type&Structure	SMT&Vertical
Gender	Male

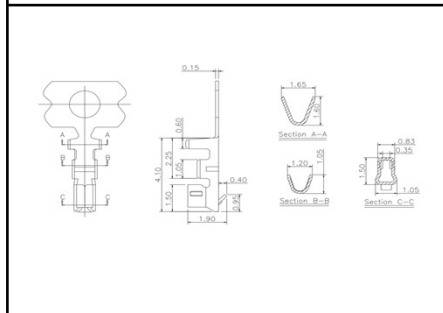
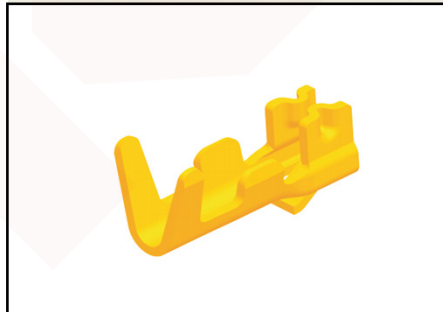
WTB125SSMxx-H000101



Technical Data

Pitch	1.25mm
Pins	2-20
Current Rating	1A
Solder type&Structure	SMT&Horizontal
Gender	Male

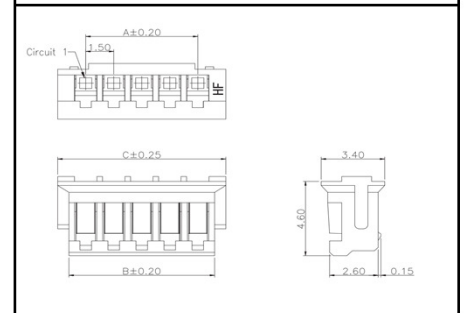
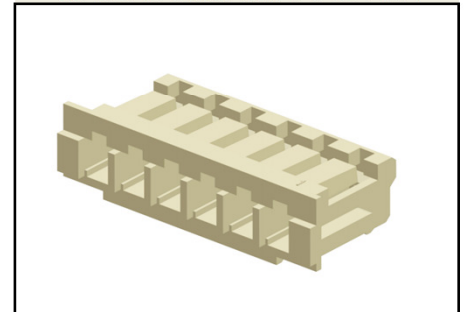
WTB150T0F00-0000101



Technical Data

Current Rating	1A
Wire range	AWG28-32

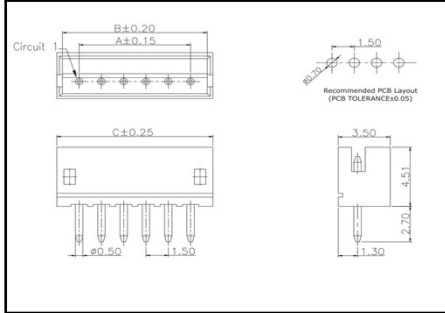
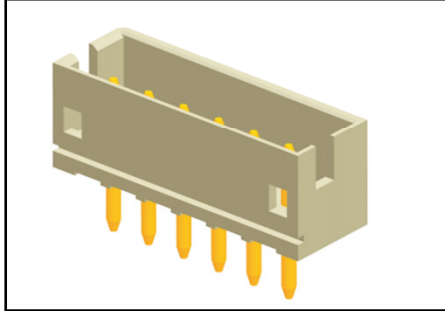
WTB150HSFxx-0000101



Technical Data

Pitch	1.50mm
Pins	2-15
Current Rating	1A

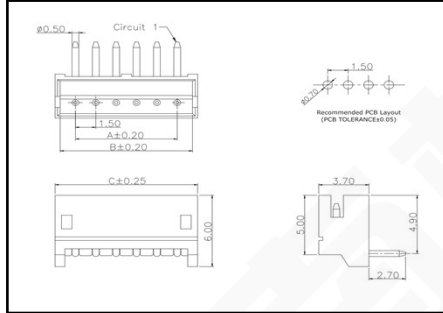
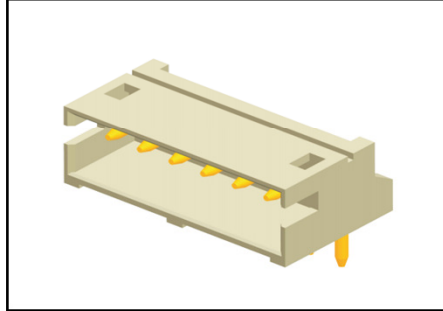
WTB150DSMxx-V000101



Technical Data

Pitch	1.50mm
Pins	2-15
Current Rating	1A
Solder type&Structure	DIP&Vertical
Gender	Male

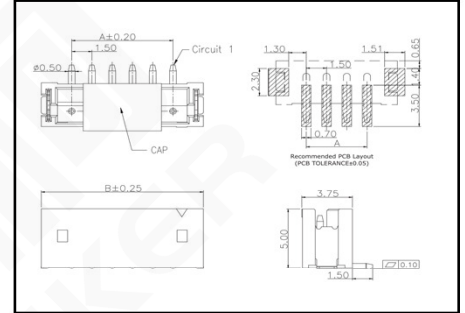
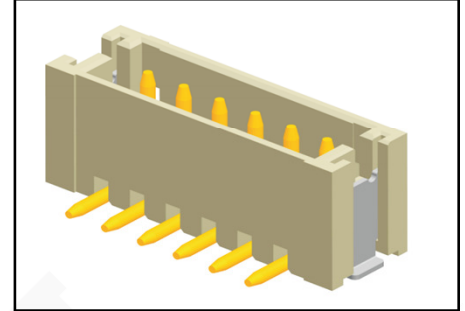
WTB150DSMxx-H000101



Technical Data

Pitch	1.50mm
Pins	2-15
Current Rating	1A
Solder type&Structure	DIP&Horizontal
Gender	Male

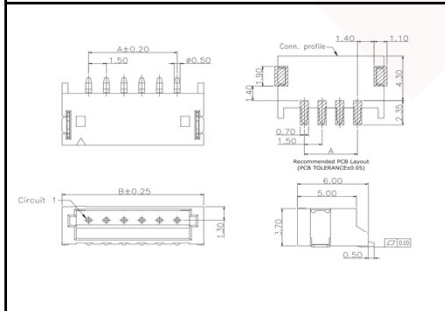
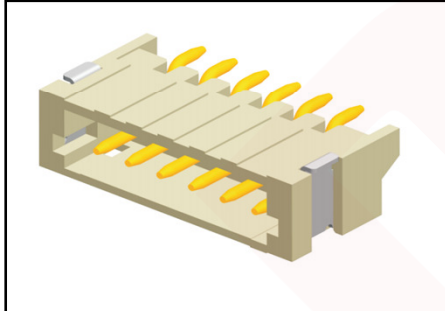
WTB150SSMxx-V000101



Technical Data

Pitch	1.50mm
Pins	2-15
Current Rating	1A
Solder type&Structure	SMT&Vertical
Gender	Male

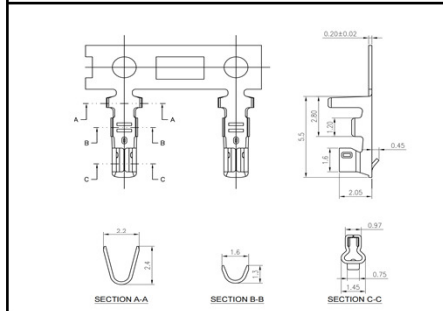
WTB150SSMxx-H000101



Technical Data

Pitch	1.50mm
Pins	2-15
Current Rating	1A
Solder type&Structure	SMT&Horizontal
Gender	Male

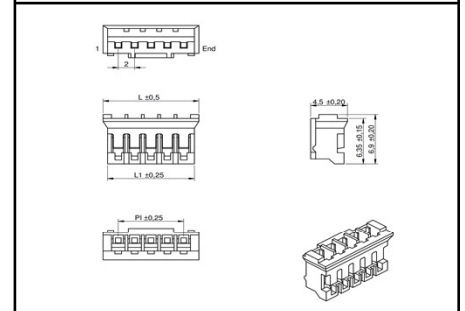
WTB200T0F00-0000101



Technical Data

Current Rating	2A
Wire range	AWG24-28

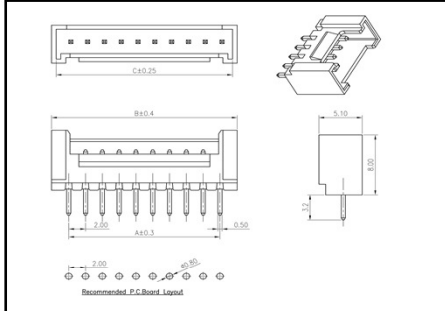
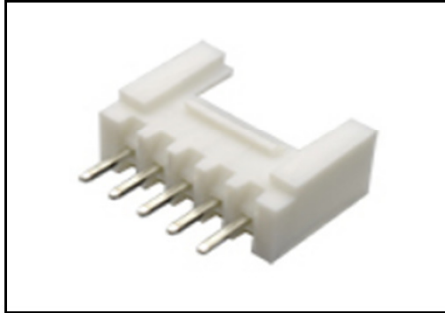
WTB200HSFxx-0000101



Technical Data

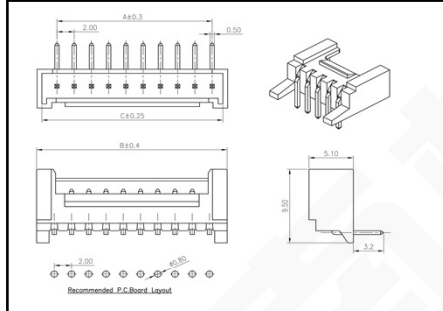
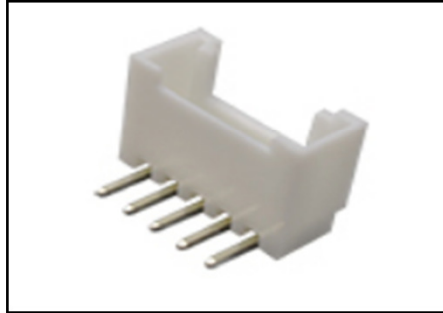
Pitch	2.00mm
Pins	2-16
Current Rating	2A

WTB200DSMxx-V000102



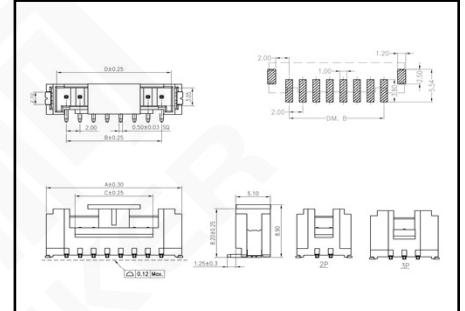
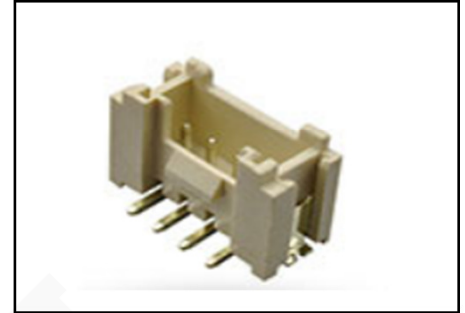
Technical Data	
Pitch	2.00mm
Pins	2-16
Current Rating	3A
Solder type&Structure	DIP&Vertical
Gender	Male

WTB200DSMxx-H000102



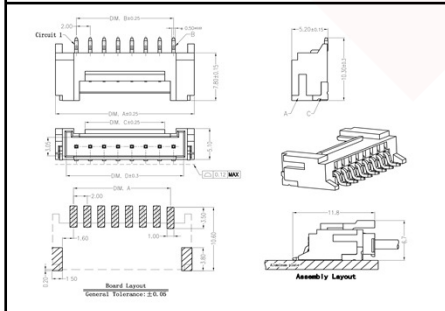
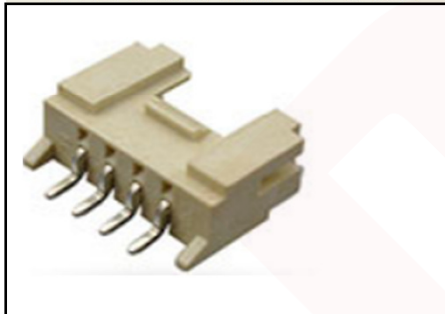
Technical Data	
Pitch	2.00mm
Pins	2-16
Current Rating	3A
Solder type&Structure	DIP&Horizontal
Gender	Male

WTB200SSMxx-V000102



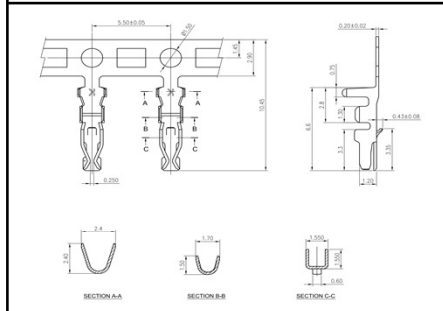
Technical Data	
Pitch	2.00mm
Pins	2-16
Current Rating	3A
Solder type&Structure	SMT&Vertical
Gender	Male

WTB200SSMxx-H000102



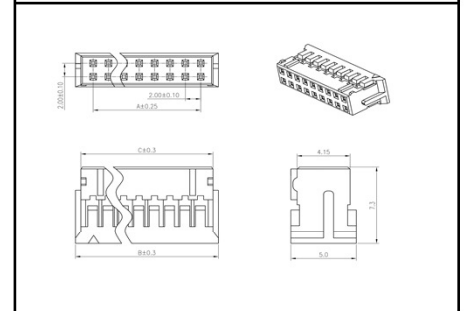
Technical Data	
Pitch	2.00mm
Pins	2-16
Current Rating	2A
Solder type&Structure	SMT&Horizontal
Gender	Male

WTB200T0F00-0000103



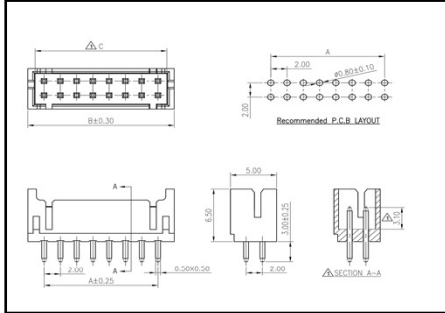
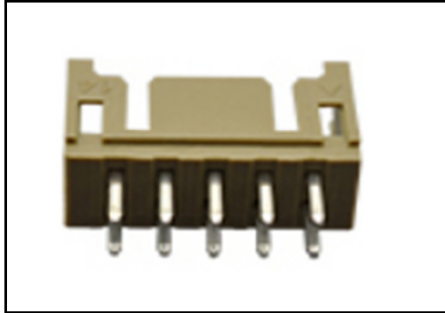
Technical Data	
Current Rating	3A
Wire range	AWG24-28

WTB200HDFxx-0000103



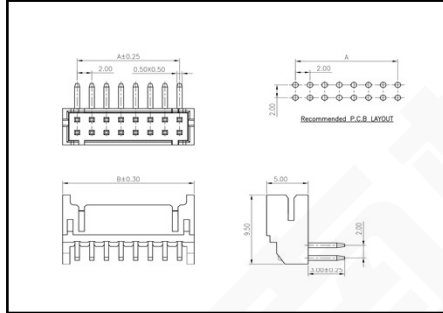
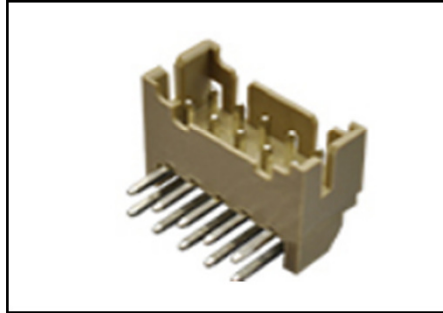
Technical Data	
Pitch	2.00mm
Pins	2-16
Current Rating	3A

WTB200DDMxx-V000103



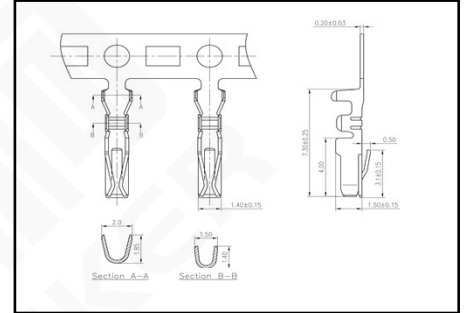
Technical Data	
Pitch	2.00mm
Pins	2-16
Current Rating	3A
Solder type&Structure	DIP&Vertical
Gender	Male

WTB200DDMxx-H000103



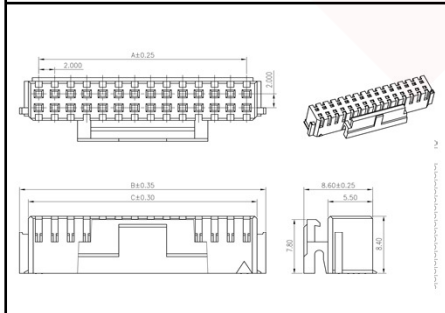
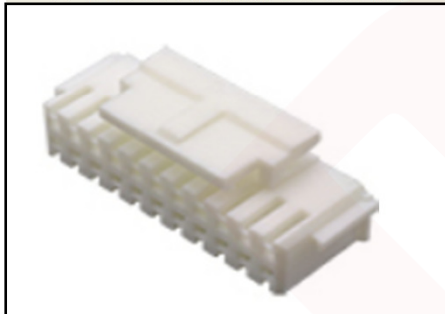
Technical Data	
Pitch	2.00mm
Pins	2-16
Current Rating	3A
Solder type&Structure	DIP&Horizontal
Gender	Male

WTB200T0F00-0000104



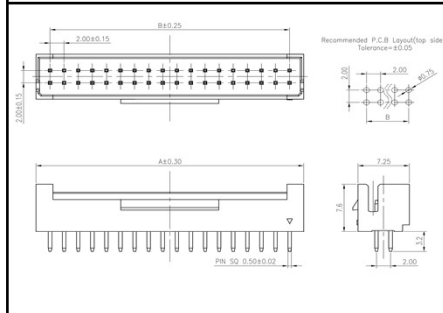
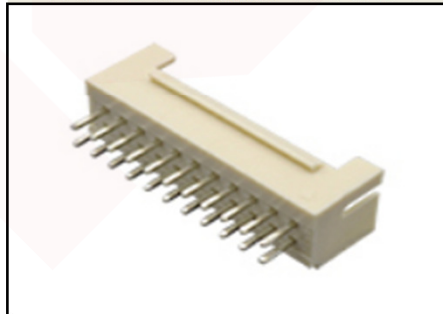
Technical Data	
Current Rating	2A
Wire range	AWG24-28

WTB200HDFxx-0000104



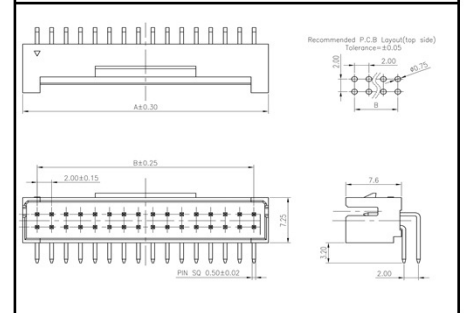
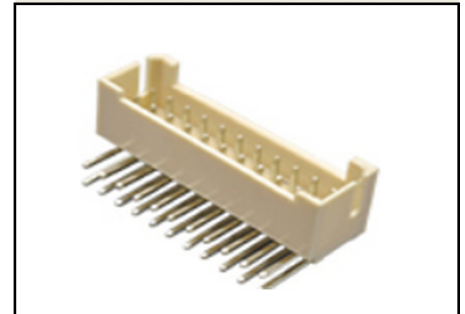
Technical Data	
Pitch	2.00mm
Pins	2-30
Current Rating	2A

WTB200DSMxx-V000104



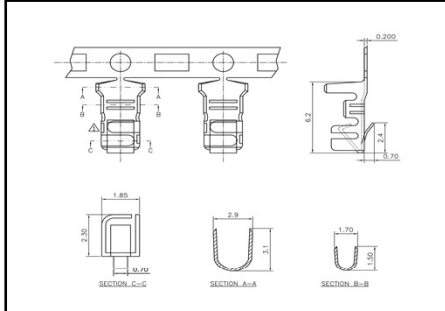
Technical Data	
Pitch	2.00mm
Pins	2-30
Current Rating	2A
Solder type&Structure	DIP&Vertical
Gender	Male

WTB200DSMxx-H000104



Technical Data	
Pitch	2.00mm
Pins	2-30
Current Rating	2A
Solder type&Structure	DIP&Horizontal
Gender	Male

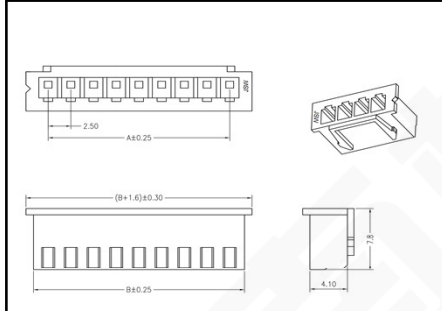
WTB250T0F00-0000101



Technical Data

Current Rating 3A
Wire range AWG24-28

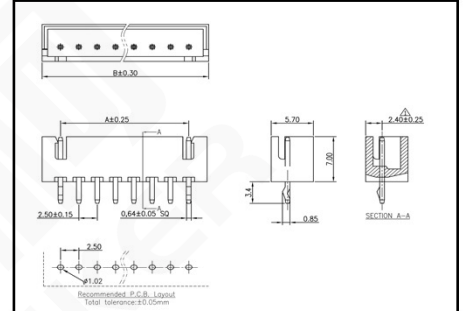
WTB250HSFxx-0000101



Technical Data

Pitch 2.50mm
Pins 2-16
Current Rating 3A

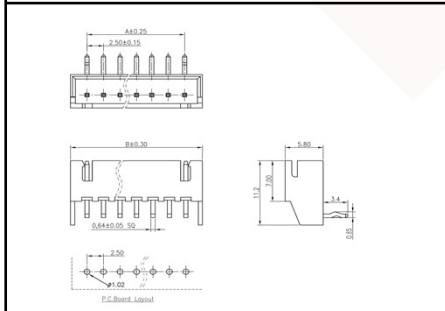
WTB250DSMxx-V000101



Technical Data

Pitch 2.50mm
Pins 2-16
Current Rating 3A
Solder type&Structure DIP&Vertical
Gender Male

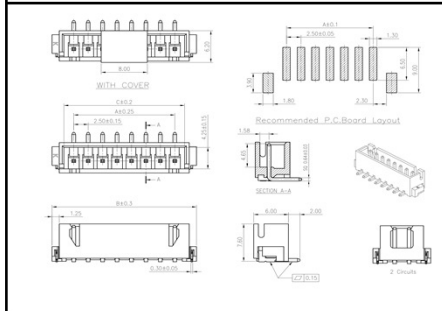
WTB250DSMxx-H000101



Technical Data

Pitch 2.50mm
Pins 2-16
Current Rating 3A
Solder type&Structure DIP&Horizontal
Gender Male

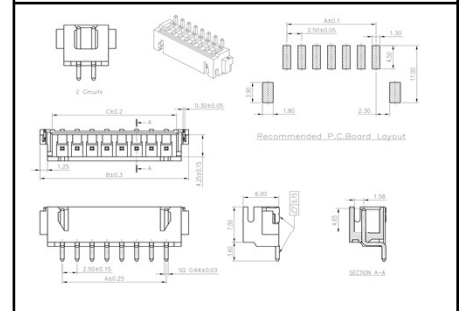
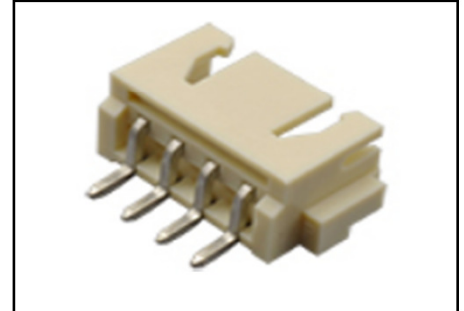
WTB250SSMxx-V000101



Technical Data

Pitch 2.50mm
Pins 2-16
Current Rating 3A
Solder type&Structure SMT&Vertical
Gender Male

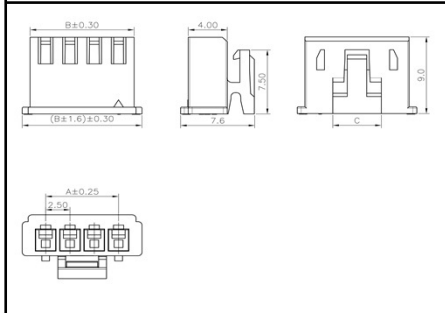
WTB250SSMxx-H000101



Technical Data

Pitch 2.50mm
Pins 2-16
Current Rating 3A
Solder type&Structure SMT&Horizontal
Gender Male

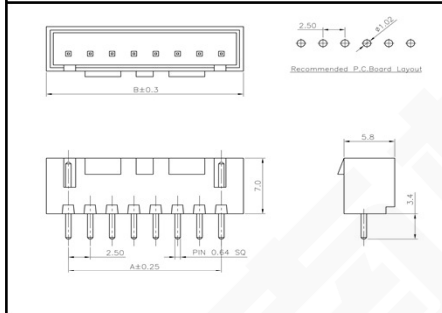
WTB250HSFxx-0000102



Technical Data

Pitch	2.50mm
Pins	2-16
Current Rating	3A

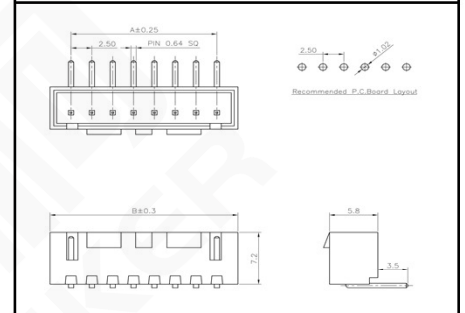
WTB250DSMxx-V000102



Technical Data

Pitch	2.50mm
Pins	2-16
Current Rating	3A
Solder type&Structure	DIP&Vertical
Gender	Male

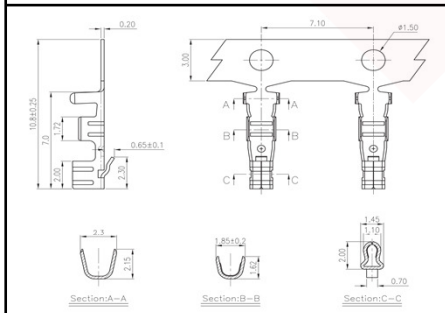
WTB250DSMxx-H000102



Technical Data

Pitch	2.50mm
Pins	2-16
Current Rating	3A
Solder type&Structure	DIP&Horizontal
Gender	Male

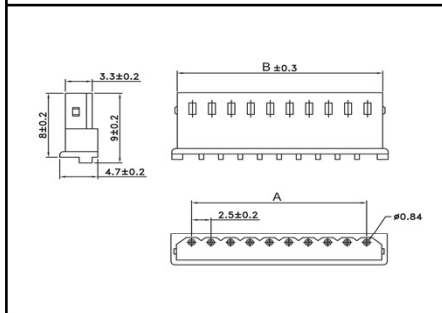
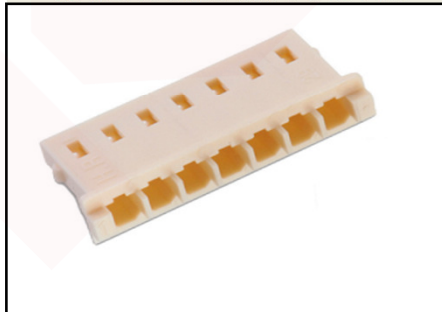
WTB250T0F00-H000103



Technical Data

Current Rating	3A
Wire range	AWG22-28

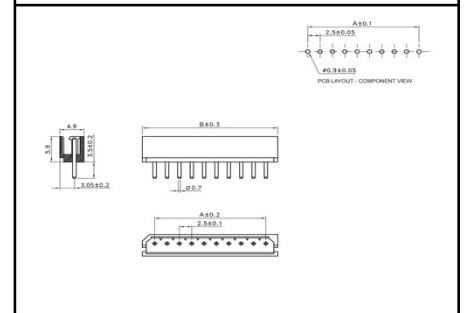
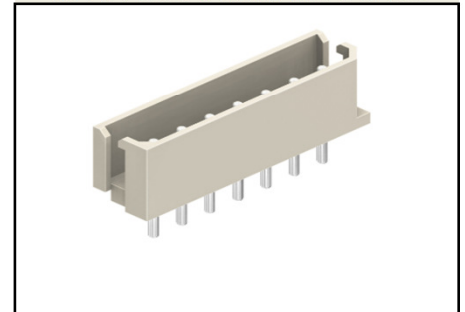
WTB250HSFxx-0000103



Technical Data

Pitch	2.50mm
Pins	2-16
Current Rating	3A

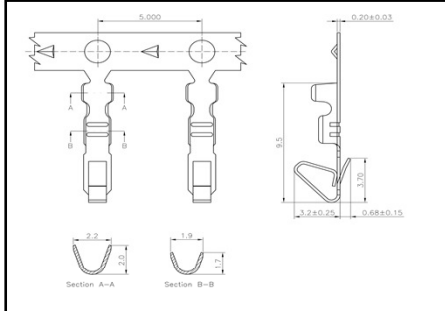
WTB250DSMxx-H000103



Technical Data

Pitch	2.50mm
Pins	2-16
Current Rating	3A
Solder type&Structure	DIP&Vertical
Gender	Male

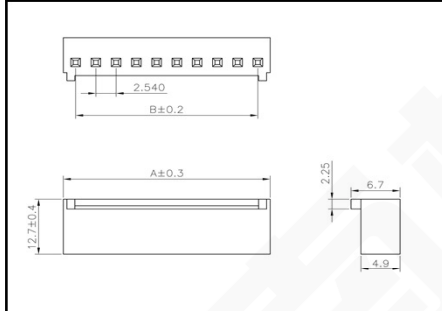
WTB254T0F00-0000101



Technical Data

Current Rating 4A
Wire range AWG22-28

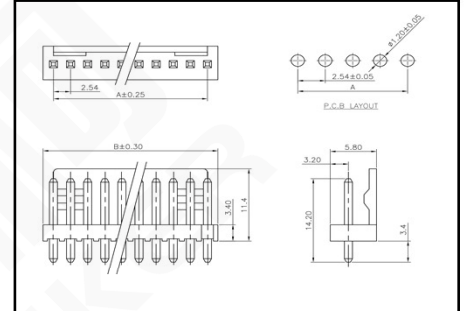
WTB254HSFxx-0000101



Technical Data

Pitch 2.54mm
Pins 2-16
Current Rating 4A

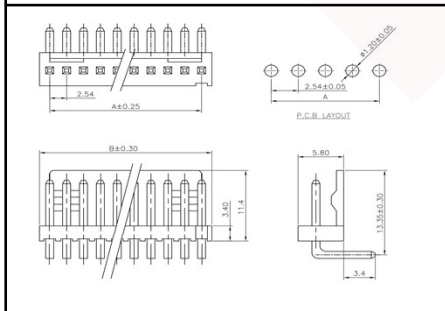
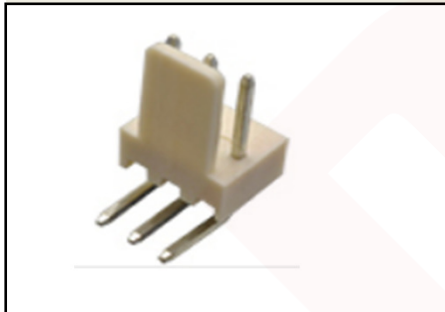
WTB254DSMxx-V000101



Technical Data

Pitch 2.54mm
Pins 2-16
Current Rating 4A
Solder type&Structure DIP&Vertical
Gender Male

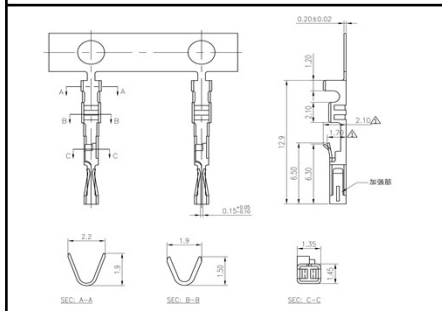
WTB254DSMxx-H000101



Technical Data

Pitch 2.54mm
Pins 2-16
Current Rating 4A
Solder type&Structure DIP&Horizontal
Gender Male

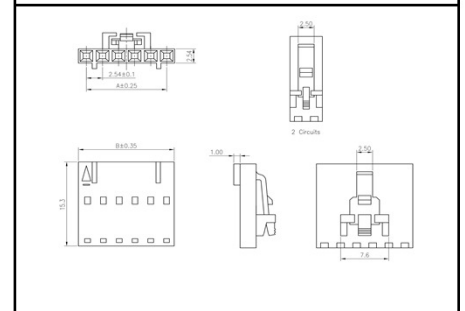
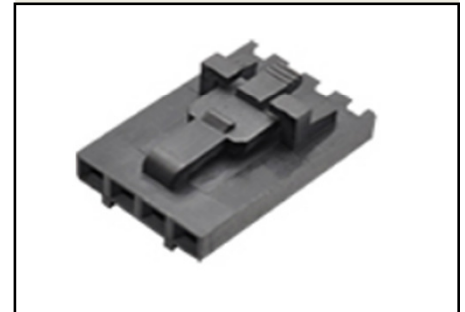
WTB254T0F00-0000102



Technical Data

Current Rating 4A
Wire range AWG22-28

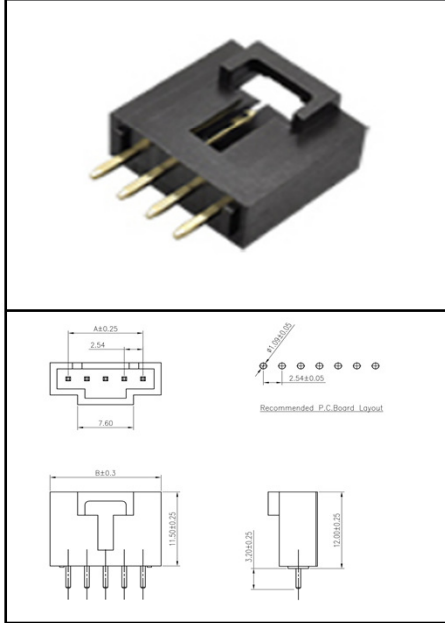
WTB254HSFxx-0000102



Technical Data

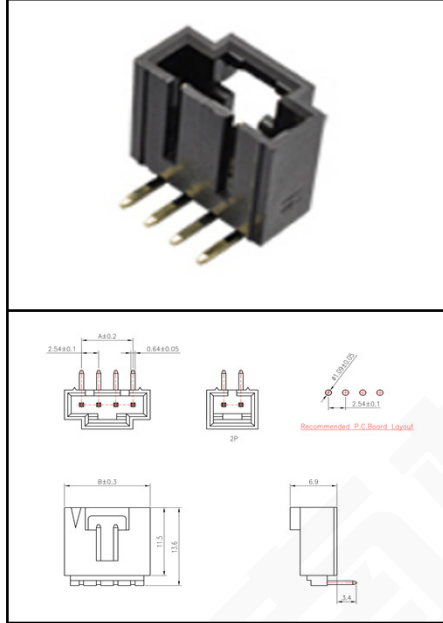
Pitch 2.54mm
Pins 2-16
Current Rating 3A

WTB254DSMxx-V000102



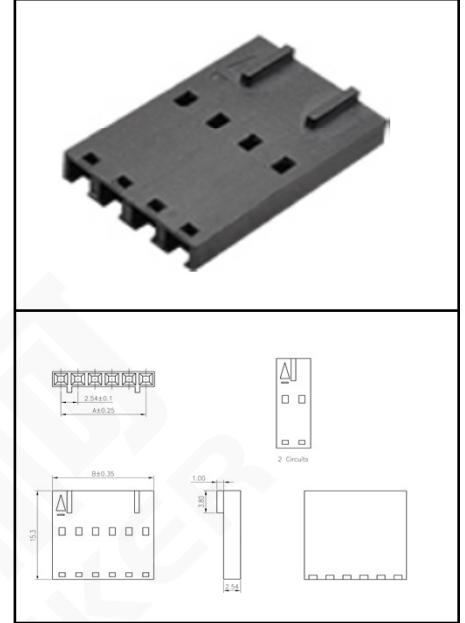
Technical Data	
Pitch	2.54mm
Pins	2-16
Current Rating	3A
Solder type&Structure	DIP&Vertical
Gender	Male

WTB254DSMxx-H000102



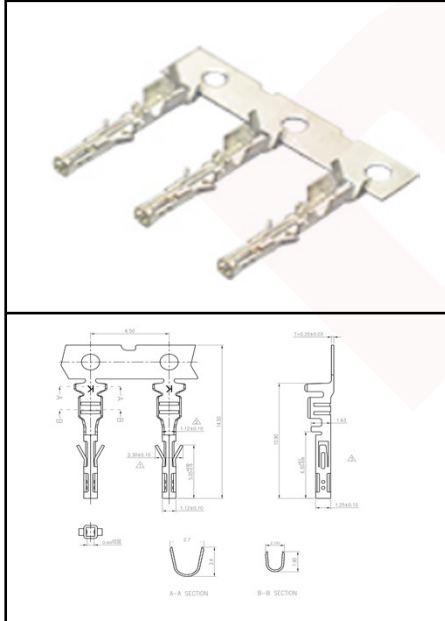
Technical Data	
Pitch	2.54mm
Pins	2-16
Current Rating	3A
Solder type&Structure	DIP&Horizontal
Gender	Male

WTB254HSFxx-0000103



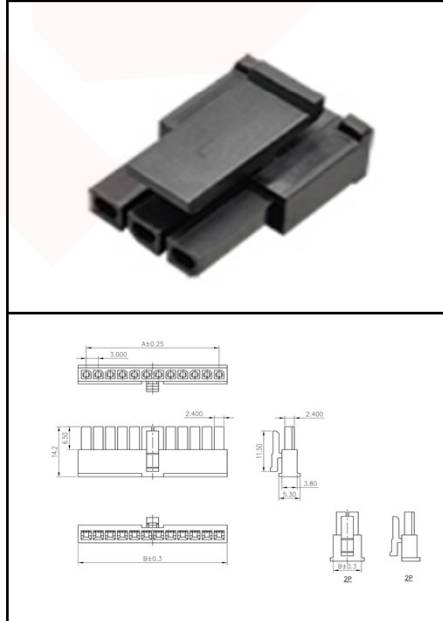
Technical Data	
Current Rating	4A
Wire range	AWG22-28

WTB300TOF00-0000101



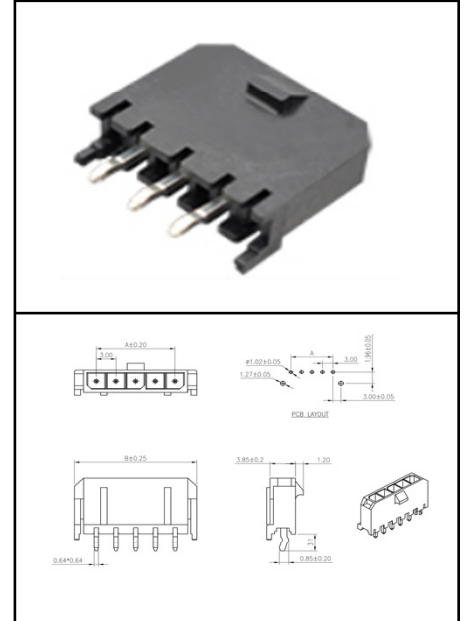
Technical Data	
Current Rating	5A
Wire range	AWG20-24

WTB300HSFxx-0000101



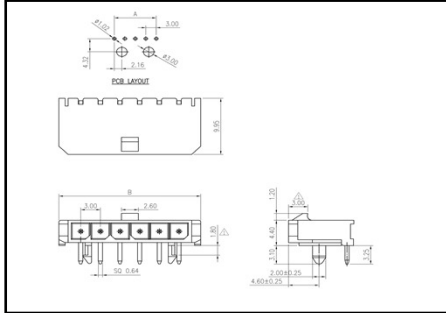
Technical Data	
Pitch	3.00mm
Pins	2-16
Current Rating	5A

WTB300DSMxx-V000101



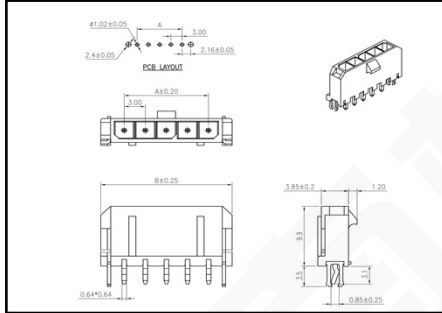
Technical Data	
Pitch	3.00mm
Pins	2-16
Current Rating	5A
Solder type&Structure	DIP&Vertical
Gender	Male

WTB300DSMxx-H000101



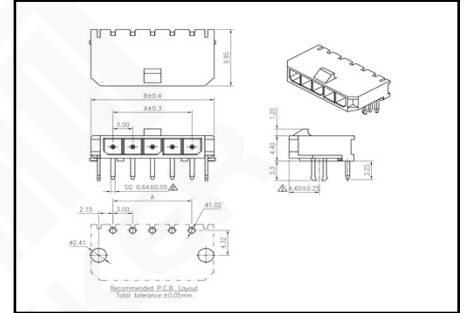
Technical Data	
Pitch	3.00mm
Pins	2-16
Current Rating	5A
Solder type&Structure	DIP&Horizontal
Gender	Male

WTB300DSMxx-V000102



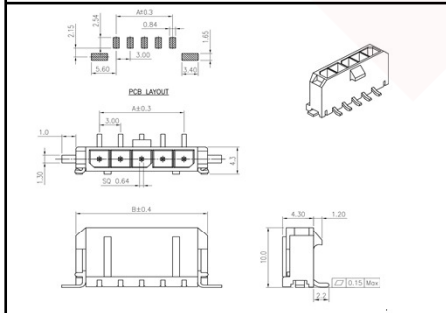
Technical Data	
Pitch	3.00mm
Pins	2-16
Current Rating	5A
Solder type&Structure	DIP&Vertical
Gender	Male

WTB300DSMxx-H000102



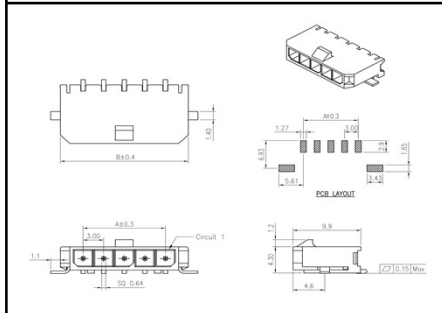
Technical Data	
Pitch	3.00mm
Pins	2-16
Current Rating	5A
Solder type&Structure	DIP&Horizontal
Gender	Male

WTB300SSMxx-V000101



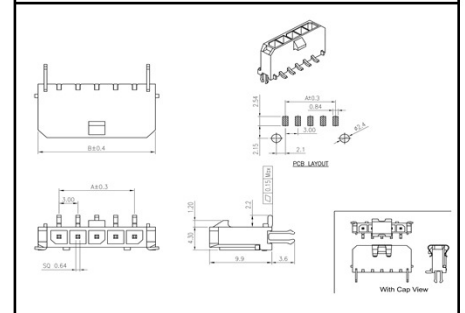
Technical Data	
Pitch	3.00mm
Pins	2-16
Current Rating	5A
Solder type&Structure	SMT&Vertical
Gender	Male

WTB300SSMxx-H000101



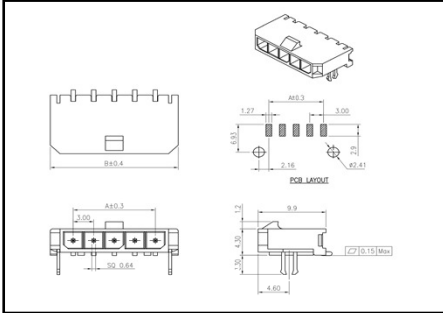
Technical Data	
Pitch	3.00mm
Pins	2-16
Current Rating	5A
Solder type&Structure	SMT&Horizontal
Gender	Male

WTB300SSMxx-V000102



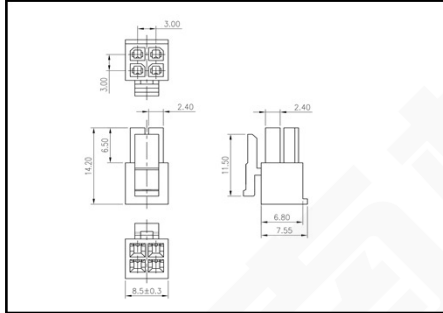
Technical Data	
Pitch	3.00mm
Pins	2-16
Current Rating	5A
Solder type&Structure	SMT&Vertical
Gender	Male

WTB300SSMxx-H000102



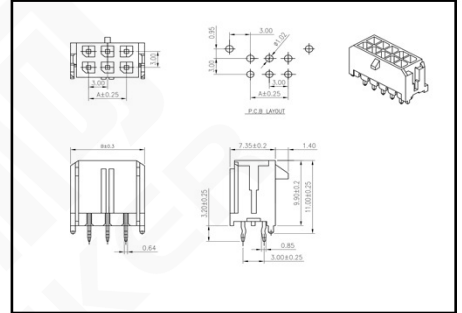
Technical Data	
Pitch	3.00mm
Pins	2-16
Current Rating	5A
Solder type&Structure	SMT&Horizontal
Gender	Male

WTB300HDFxx-0000101



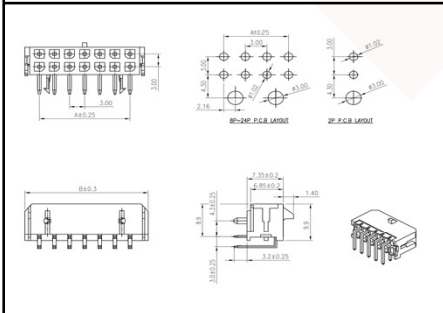
Technical Data	
Pitch	3.00mm
Pins	2-16
Current Rating	5A

WTB300DDMxx-V000101



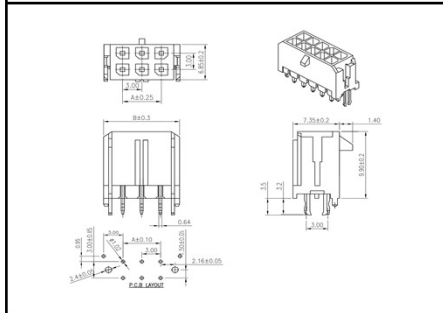
Technical Data	
Pitch	3.00mm
Pins	2-16
Current Rating	5A
Solder type&Structure	DIP&Vertical
Gender	Male

WTB300DDMxx-H000101



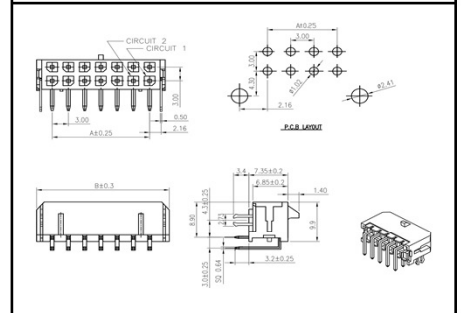
Technical Data	
Pitch	3.00mm
Pins	2-16
Current Rating	5A
Solder type&Structure	DIP&Horizontal
Gender	Male

WTB300DDMxx-V000102



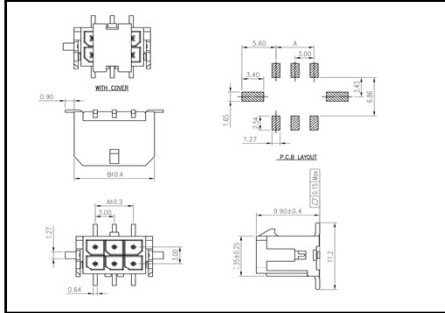
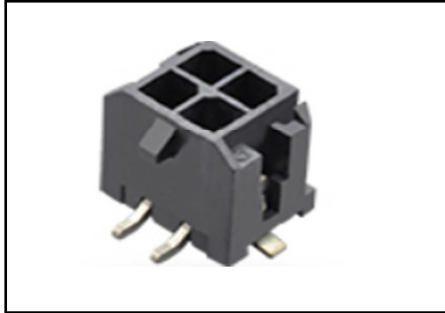
Technical Data	
Pitch	3.00mm
Pins	2-16
Current Rating	5A
Solder type&Structure	DIP&Vertical
Gender	Male

WTB300DDMxx-H000102



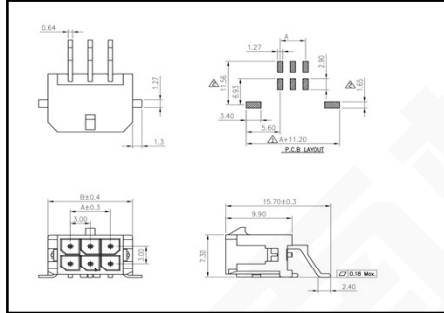
Technical Data	
Pitch	3.00mm
Pins	2-16
Current Rating	5A
Solder type&Structure	DIP&Horizontal
Gender	Male

WTB300DDMxx-V000101



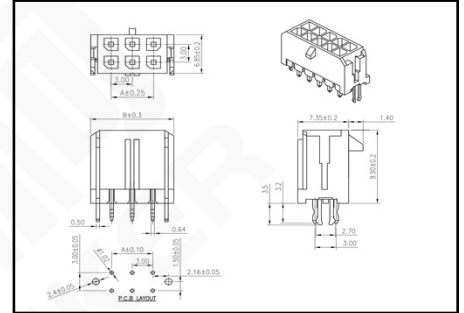
Technical Data	
Pitch	3.00mm
Pins	2-16
Current Rating	5A
Solder type&Structure	SMT&Vertical
Gender	Male

WTB300DDMxx-H000101



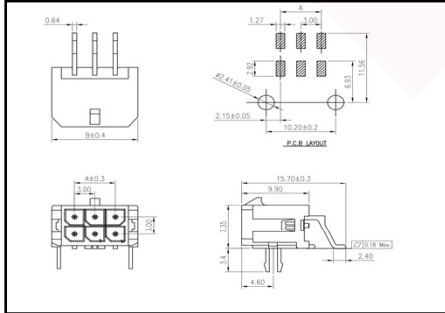
Technical Data	
Pitch	3.00mm
Pins	2-16
Current Rating	5A
Solder type&Structure	SMT&Horizontal
Gender	Male

WTB300DDMxx-V000102



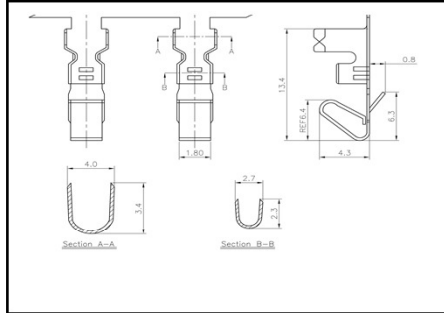
Technical Data	
Pitch	3.00mm
Pins	2-16
Current Rating	5A
Solder type&Structure	SMT&Vertical
Gender	Male

WTB300DDMxx-H000102



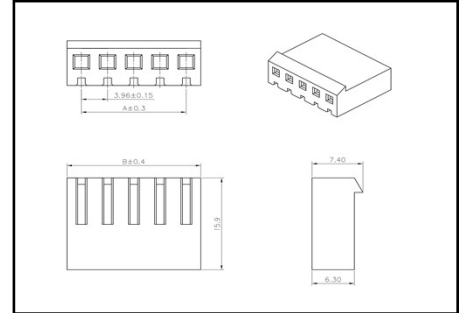
Technical Data	
Pitch	3.00mm
Pins	2-16
Current Rating	5A
Solder type&Structure	SMT&Horizontal
Gender	Male

WTB396T0F00-0000101



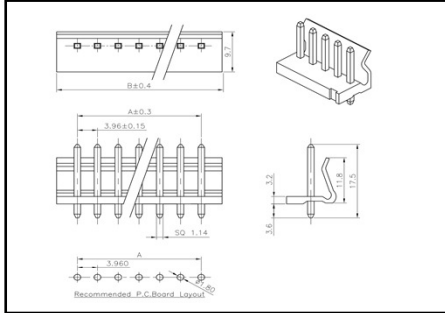
Technical Data	
Current Rating	7A
Wire range	AWG18-24

WTB396HSFxx-0000101



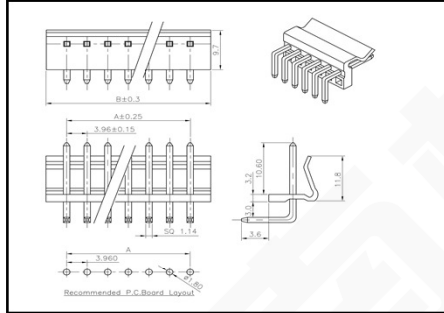
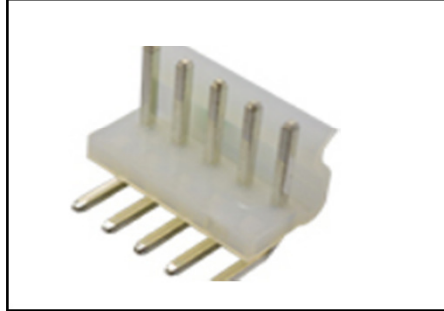
Technical Data	
Pitch	3.96mm
Pins	2-16
Current Rating	7A

WTB396DSMxx-V000101



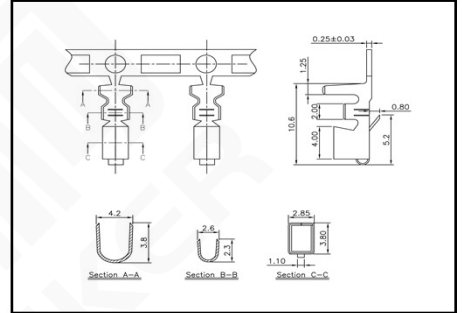
Technical Data	
Pitch	3.96mm
Pins	2-16
Current Rating	7A
Solder type&Structure	DIP&Vertical
Gender	Male

WTB396DSMxx-H000101



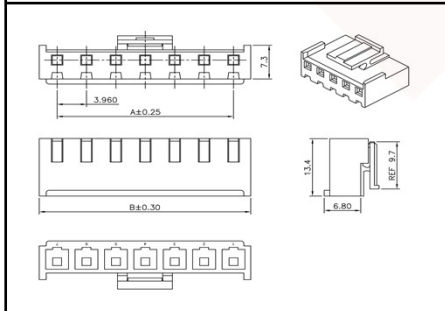
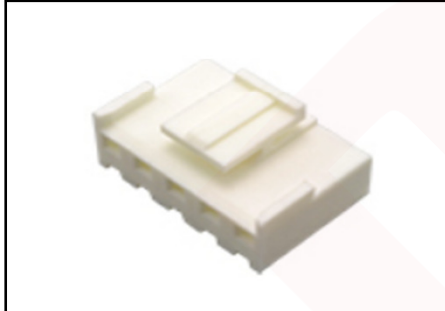
Technical Data	
Pitch	3.96mm
Pins	2-16
Current Rating	7A
Solder type&Structure	DIP&Horizontal
Gender	Male

WTB396T0F00-0000102



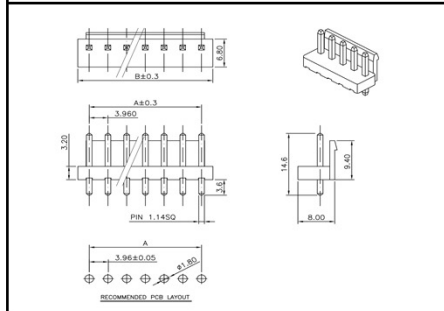
Technical Data	
Current Rating	7A
Wire range	AWG18-22

WTB396HSFxx-0000102



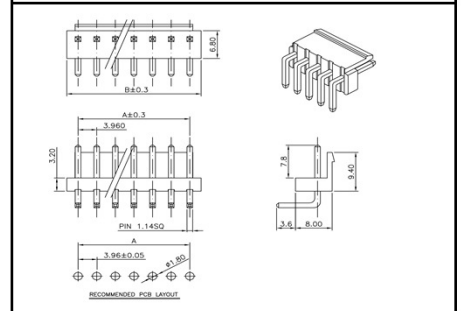
Technical Data	
Pitch	3.96mm
Pins	2-16
Current Rating	7A

WTB396DSMxx-V000102



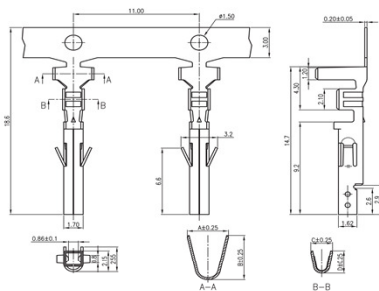
Technical Data	
Pitch	3.96mm
Pins	2-16
Current Rating	7A
Solder type&Structure	DIP&Vertical
Gender	Male

WTB396DSMxx-H000102



Technical Data	
Pitch	3.96mm
Pins	2-16
Current Rating	7A
Solder type&Structure	DIP&Horizontal
Gender	Male

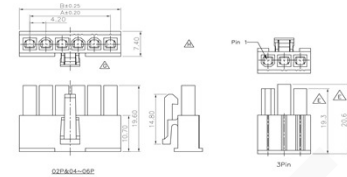
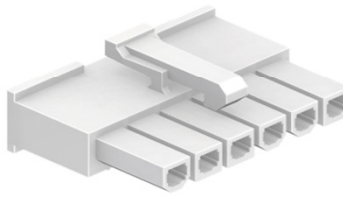
WTB420T0F00-0000101



Technical Data

Current Rating	9A
Wire range	AWG16-26

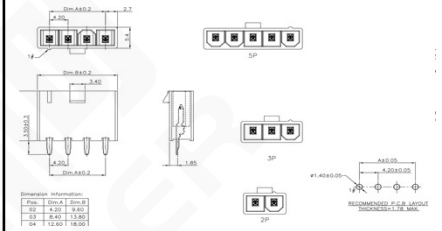
WTB420HSFxx-0000101



Technical Data

Pitch	4.20mm
Pins	2-16
Current Rating	9A

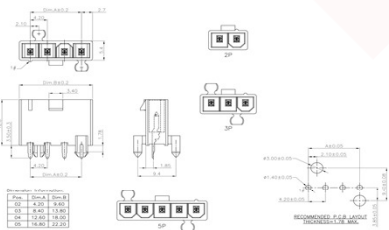
WTB420DSMxx-V000101



Technical Data

Pitch	4.20mm
Pins	2-16
Current Rating	9A
Solder type&Structure	DIP&Vertical
Gender	Male

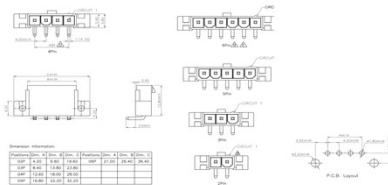
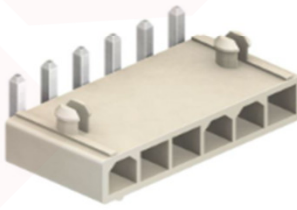
WTB420DSMxx-V000102



Technical Data

Pitch	4.20mm
Pins	2-16
Current Rating	9A
Solder type&Structure	DIP&Vertical
Gender	Male

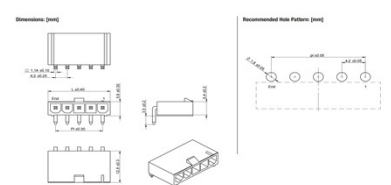
WTB420DSMxx-H000101



Technical Data

Pitch	4.20mm
Pins	2-16
Current Rating	9A
Solder type&Structure	DIP&Horizontal
Gender	Male

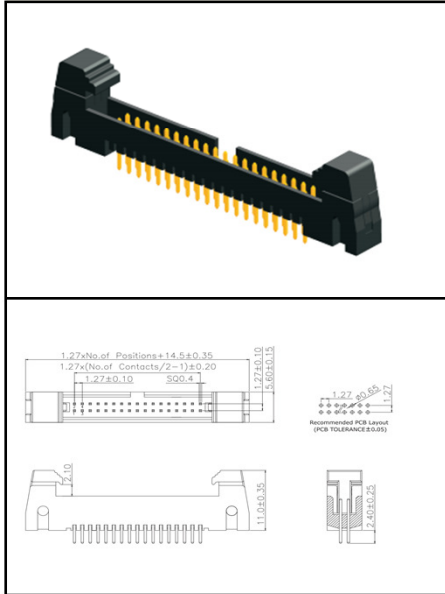
WTB420DSMxx-H000102



Technical Data

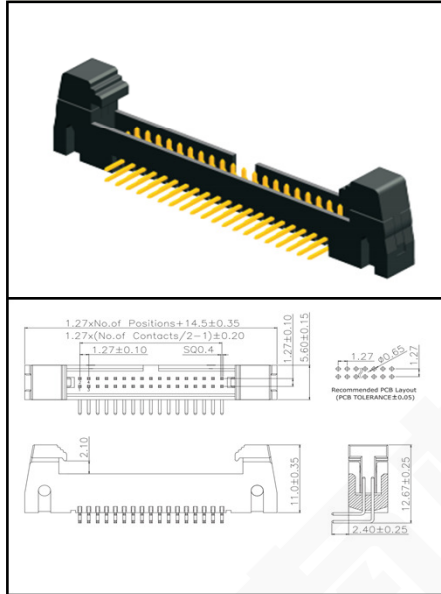
Pitch	4.20mm
Pins	2-16
Current Rating	9A
Solder type&Structure	DIP&Horizontal
Gender	Male

BHD127DDMxx-V000102



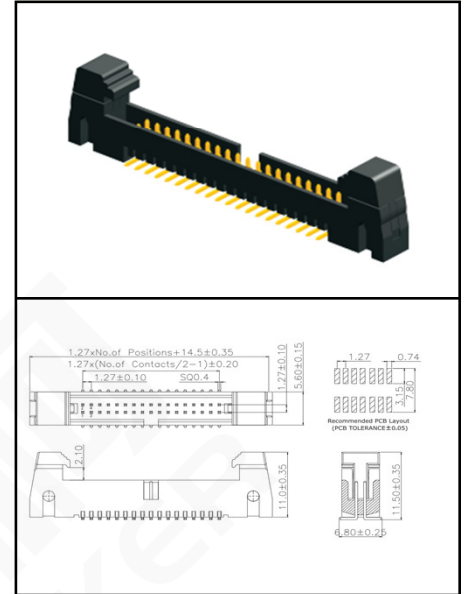
Technical Data	
Pitch	1.27mm
Pins	6-64
Current Rating	1A
Solder type&Structure	DIP&Vertical
Gender	Male

BHD127DDMxx-H000102



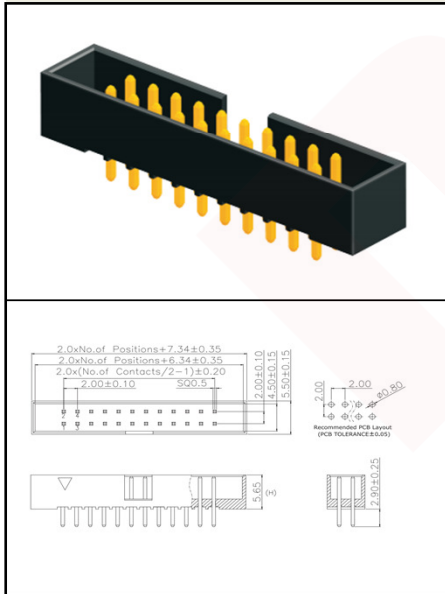
Technical Data	
Pitch	1.27mm
Pins	6-64
Current Rating	1A
Solder type&Structure	DIP&Horizontal
Gender	Male

BHD127SDMxx-V000102



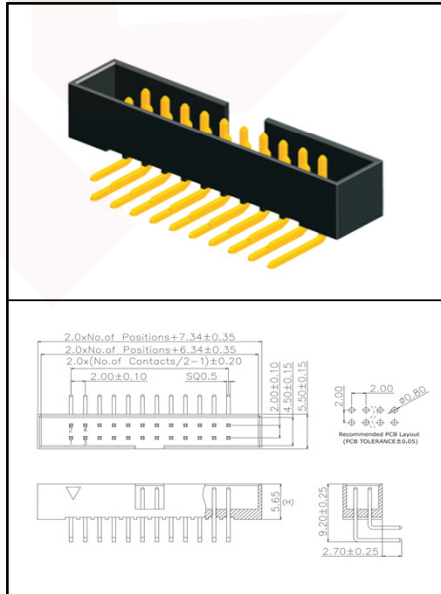
Technical Data	
Pitch	1.27mm
Pins	6-64
Current Rating	1A
Solder type&Structure	SMT&Vertical
Gender	Male

BHD200DDMxx-V000101



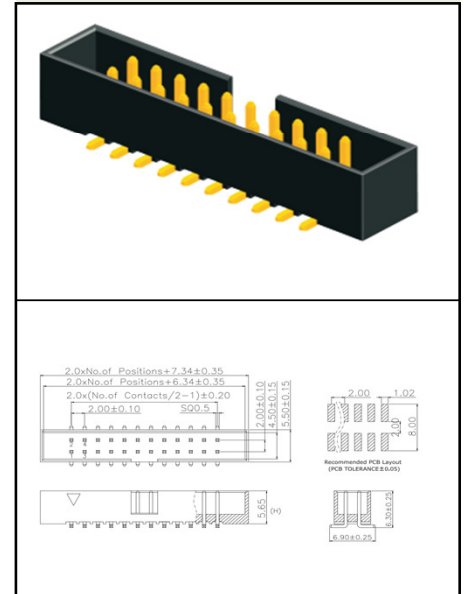
Technical Data	
Pitch	2.00mm
Pins	6-64
Current Rating	2A
Solder type&Structure	DIP&Vertical
Gender	Male

BHD200DDMxx-H000101



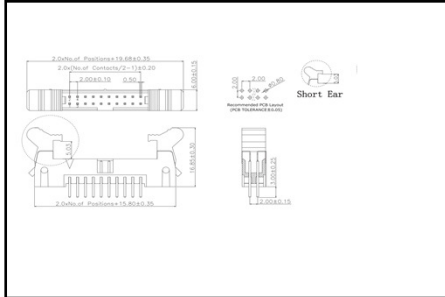
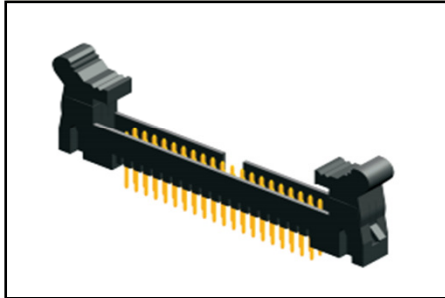
Technical Data	
Pitch	2.00mm
Pins	6-64
Current Rating	2A
Solder type&Structure	DIP&Horizontal
Gender	Male

BHD200SDMxx-V000101



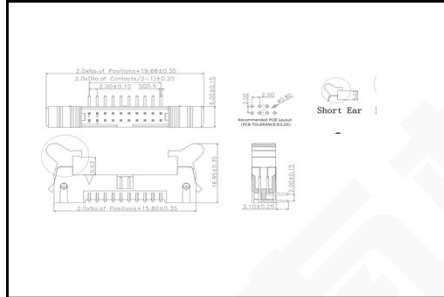
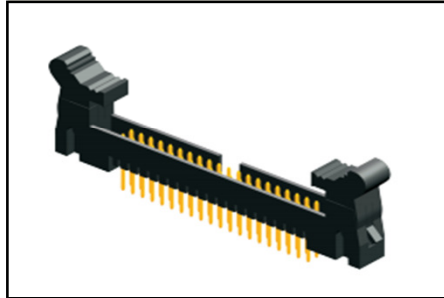
Technical Data	
Pitch	2.00mm
Pins	6-64
Current Rating	2A
Solder type&Structure	SMT&Vertical
Gender	Male

BHD200DDMxx-V000102



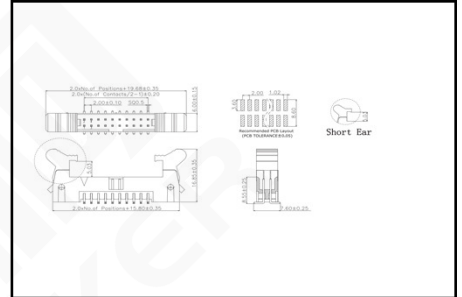
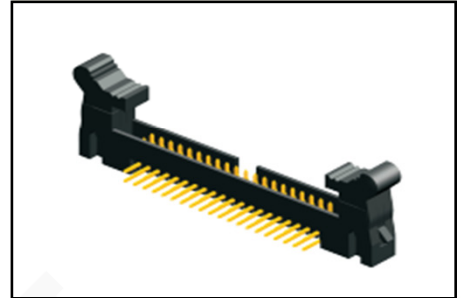
Technical Data	
Pitch	2.00mm
Pins	6-64
Current Rating	2A
Solder type&Structure	DIP&Vertical
Gender	Male

BHD200DDMxx-V000103



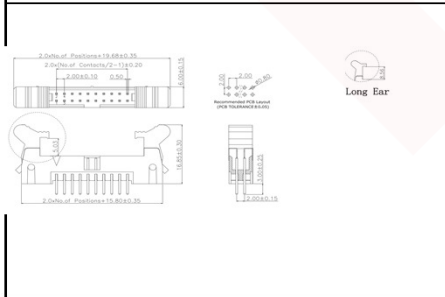
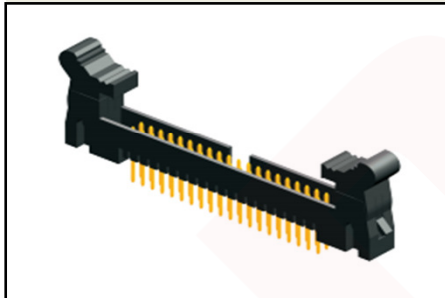
Technical Data	
Pitch	2.00mm
Pins	6-64
Current Rating	2A
Solder type&Structure	DIP&Vertical
Gender	Male

BHD200SDMxx-H000102



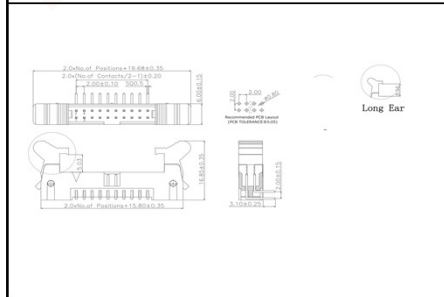
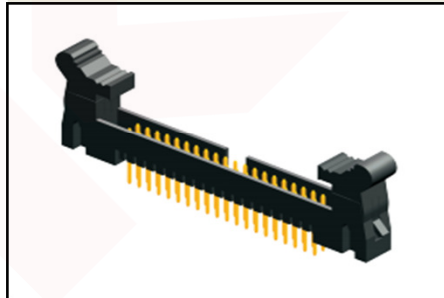
Technical Data	
Pitch	2.00mm
Pins	6-64
Current Rating	2A
Solder type&Structure	DIP&Horizontal
Gender	Male

BHD200DDMxx-H000103



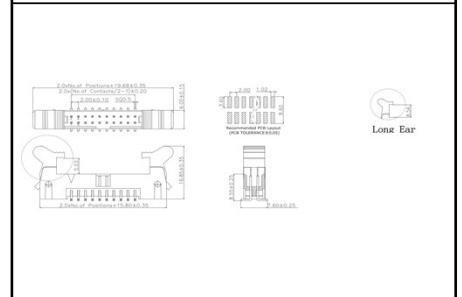
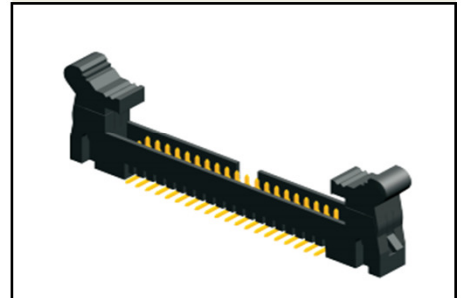
Technical Data	
Pitch	2.00mm
Pins	6-64
Current Rating	2A
Solder type&Structure	DIP&Vertical
Gender	Male

BHD200SDMxx-V000102



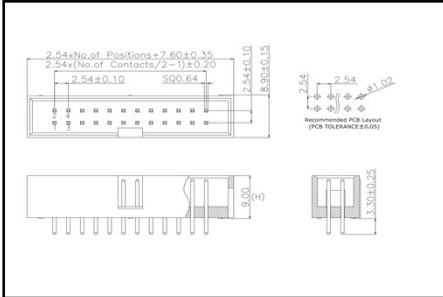
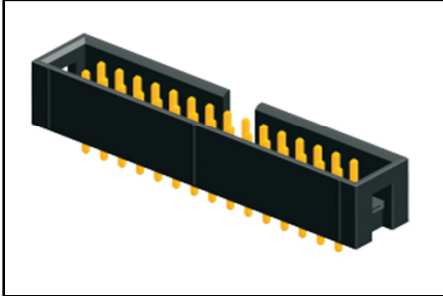
Technical Data	
Pitch	2.00mm
Pins	6-64
Current Rating	2A
Solder type&Structure	SMT&Vertical
Gender	Male

BHD200SDMxx-V000103



Technical Data	
Pitch	2.00mm
Pins	6-64
Current Rating	2A
Solder type&Structure	SMT&Vertical
Gender	Male

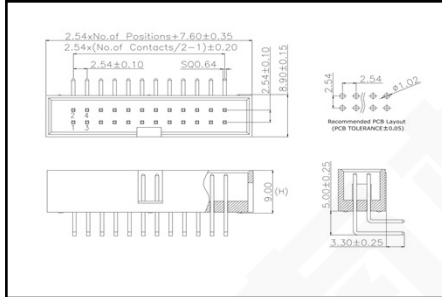
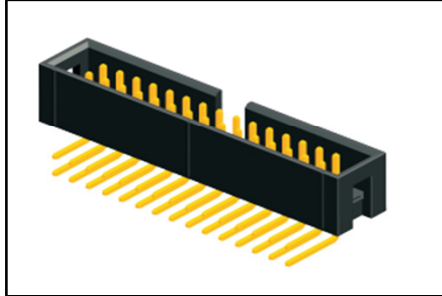
BHD254DDMxx-V000101



Technical Data

Pitch	2.54mm
Pins	6-64
Current Rating	3A
Solder type&Structure	DIP&Vertical
Gender	Male

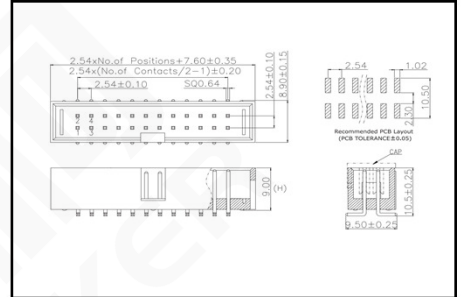
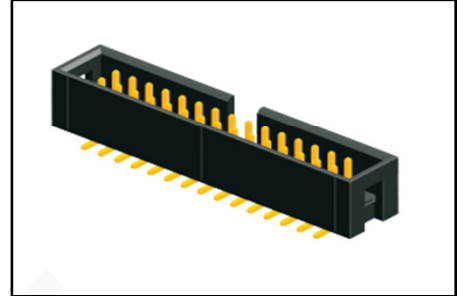
BHD254DDMxx-H000101



Technical Data

Pitch	2.54mm
Pins	6-64
Current Rating	3A
Solder type&Structure	DIP&Vertical
Gender	Male

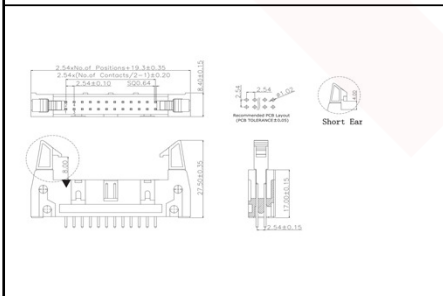
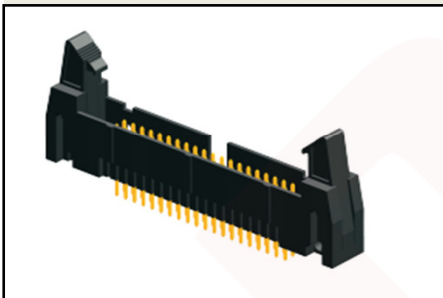
BHD254SDMxx-V000101



Technical Data

Pitch	2.54mm
Pins	6-64
Current Rating	3A
Solder type&Structure	SMT&Vertical
Gender	Male

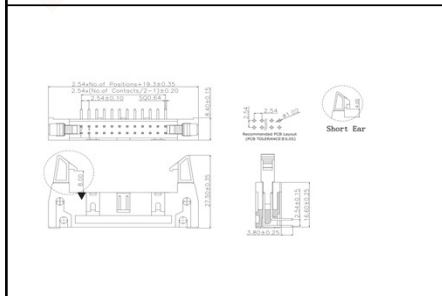
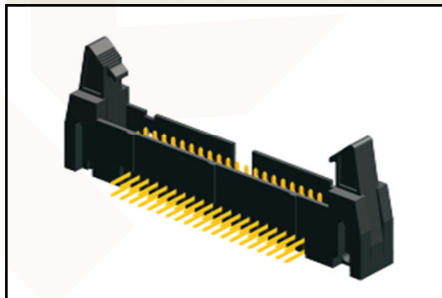
BHD254DDMxx-V000102



Technical Data

Pitch	2.54mm
Pins	6-64
Current Rating	3A
Solder type&Structure	DIP&Vertical
Gender	Male

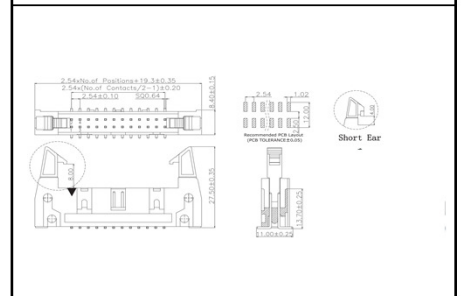
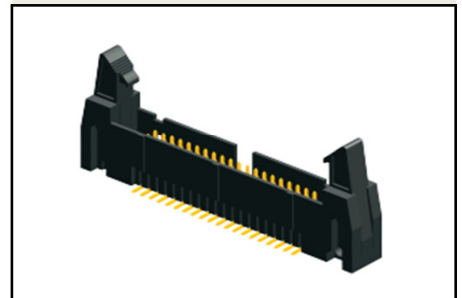
BHD254DDMxx-H000102



Technical Data

Pitch	2.54mm
Pins	6-64
Current Rating	3A
Solder type&Structure	DIP&Vertical
Gender	Male

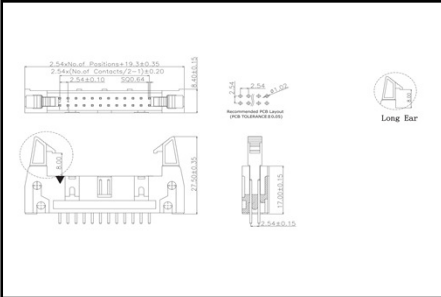
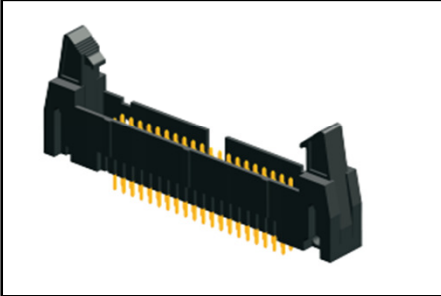
BHD254SDMxx-V000102



Technical Data

Pitch	2.54mm
Pins	6-64
Current Rating	3A
Solder type&Structure	SMT&Vertical
Gender	Male

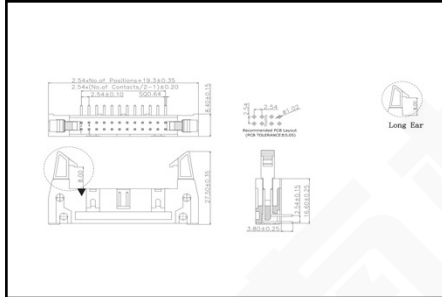
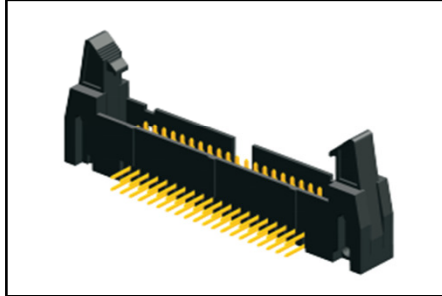
BHD254DDMxx-V000103



Technical Data

Pitch	2.54mm
Pins	6-64
Current Rating	3A
Solder type&Structure	DIP&Vertical
Gender	Male

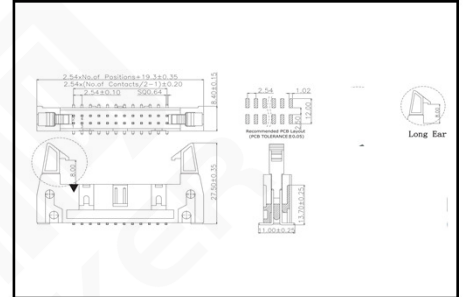
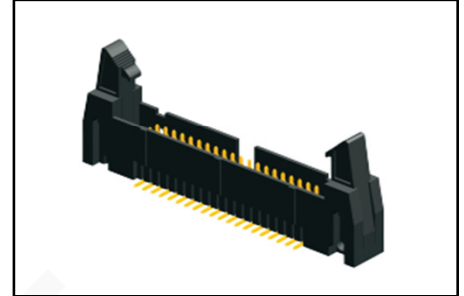
BHD254DDMxx-H000103



Technical Data

Pitch	2.54mm
Pins	6-64
Current Rating	3A
Solder type&Structure	DIP&Vertical
Gender	Male

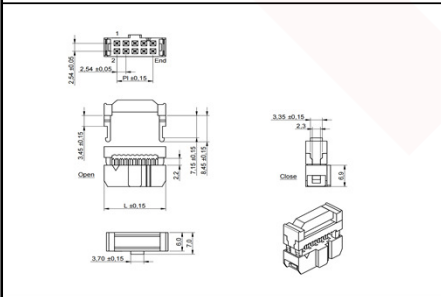
BHD254SDMxx-V000103



Technical Data

Pitch	2.54mm
Pins	6-64
Current Rating	3A
Solder type&Structure	SMT&Vertical
Gender	Male

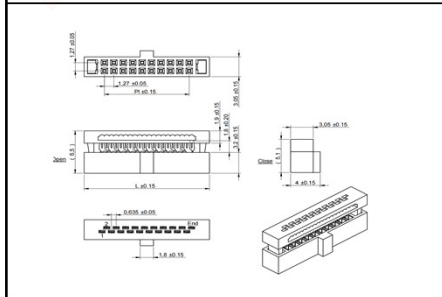
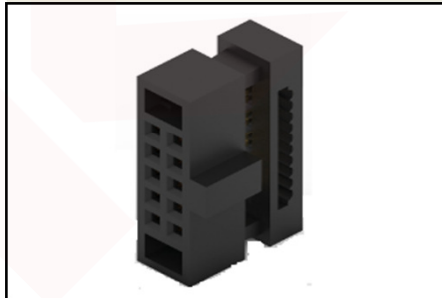
BHD254IDFxx-0000101



Technical Data

Pitch	2.54mm
Pins	6-64
Current Rating	3A
Type	IDC
Gender	Female

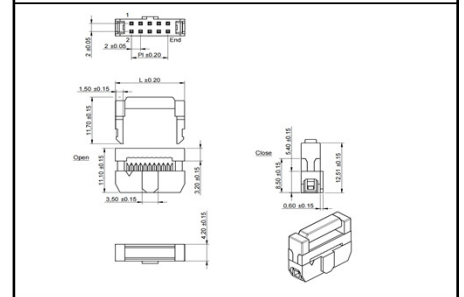
BHD127IDFxx-0000101



Technical Data

Pitch	1.27mm
Pins	6-64
Current Rating	1A
Type	IDC
Gender	Female

BHD200IDFxx-0000101



Technical Data

Pitch	2.00mm
Pins	6-64
Current Rating	2A
Type	IDC
Gender	Female