

Type: Plug (Base Board)

Number of pins: 220, 440

Pitch: 0.5 mm

Data transfer rate: 10 Gbit/s

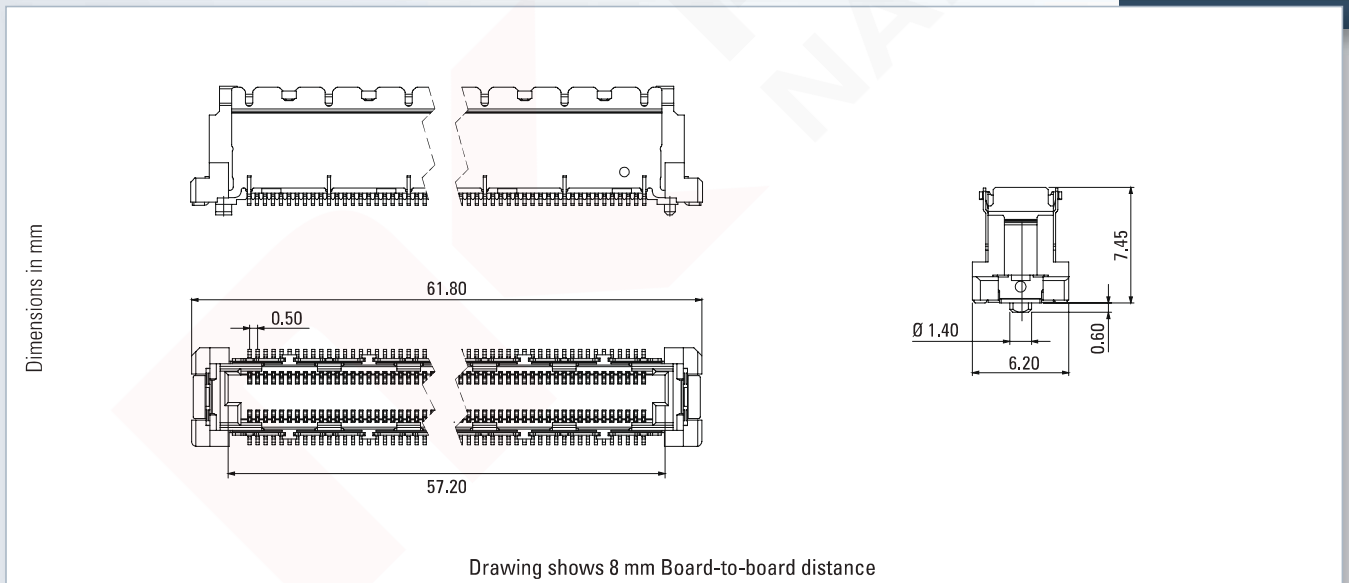
Packaging: Tape & Reel, Tray

Standards: PICMG COM.0



Technical Specification on page 21

For drawings and technical data visit www.ept.de



Note

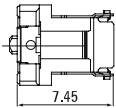
All Colibri connectors also available with heavy gold plating (see ordering note on p. 23)

Mating connector / Application:

 Colibri Receptacle (p. 24)



8 mm board-to-board distance . . .

Number of pins	Colibri® Plug			
				
	Packaging			
	Tape & Reel		Tray	
	Part number	PU	Part number	PU
220	401-55101-51	600	401-55101-51VP1	336
440	401-55501-51	240	401-55501-51VP1	168

Ordering note


All pin numbers are also available with heavy gold plating; therefore please use the ending „52“ instead of 51 in the part number

On request

- other board-to-board distances
- alternative contact surface
- with pick & place cap



5 mm board-to-board distance . . .

Polzahl	Colibri® Plug			
				
	Packaging			
	Tape & Reel		Tray	
	Part number	PU	Part number	VPE
220	401-51101-51	875	401-51101-51VP1	336
440	401-51501-51	350	401-51501-51VP1	168



Type: Receptacle (COM Module)

Number of pins: 220, 440

Pitch: 0,5 mm

Data transfer rate: 10 Gbit/s

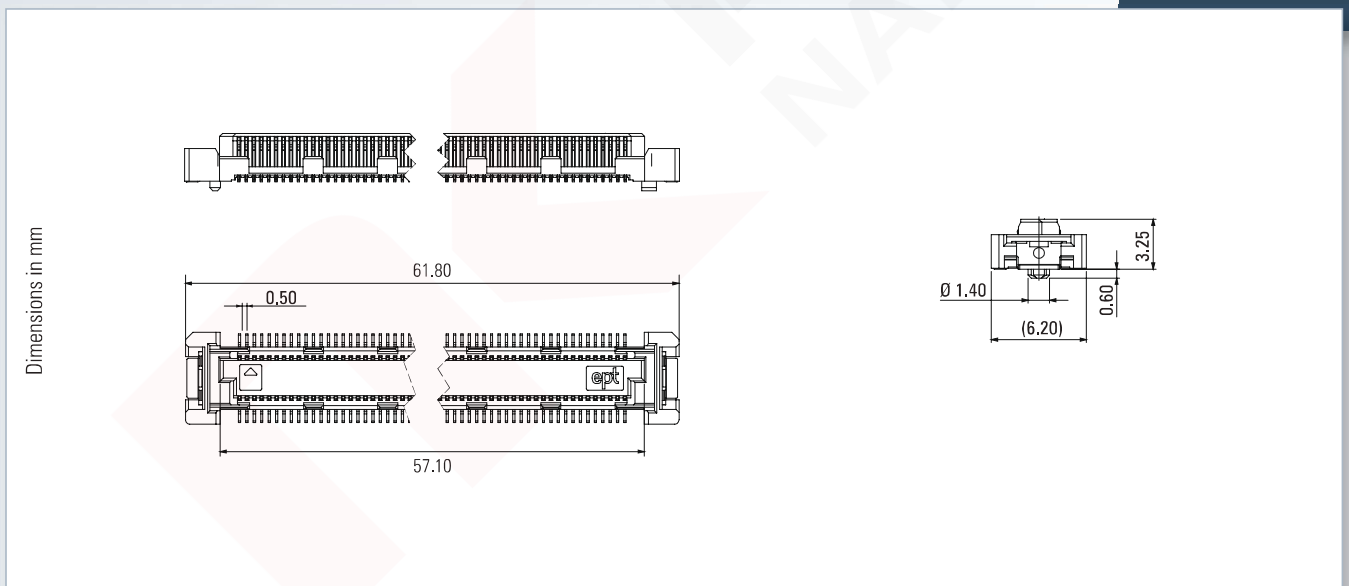
Packaging: Tape & Reel, Tray

Standards: PICMG COM.0



Technical Specification on page 21

For drawings and technical data visit www.ept.de



Hint

All Colibri connectors also available with heavy gold plating (see ordering note on p. 25)

Mating connector / Application:

Colibri Plug 5 mm & 8 mm (p. 22)