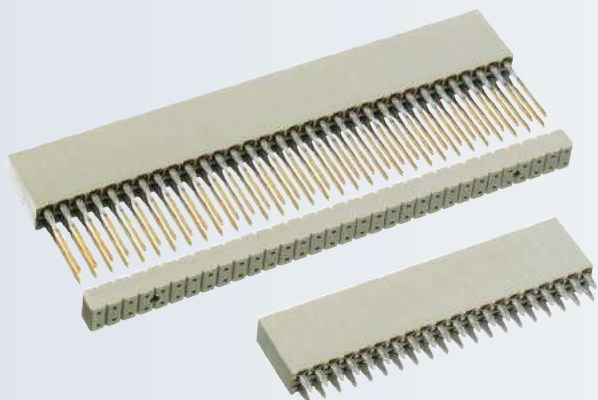


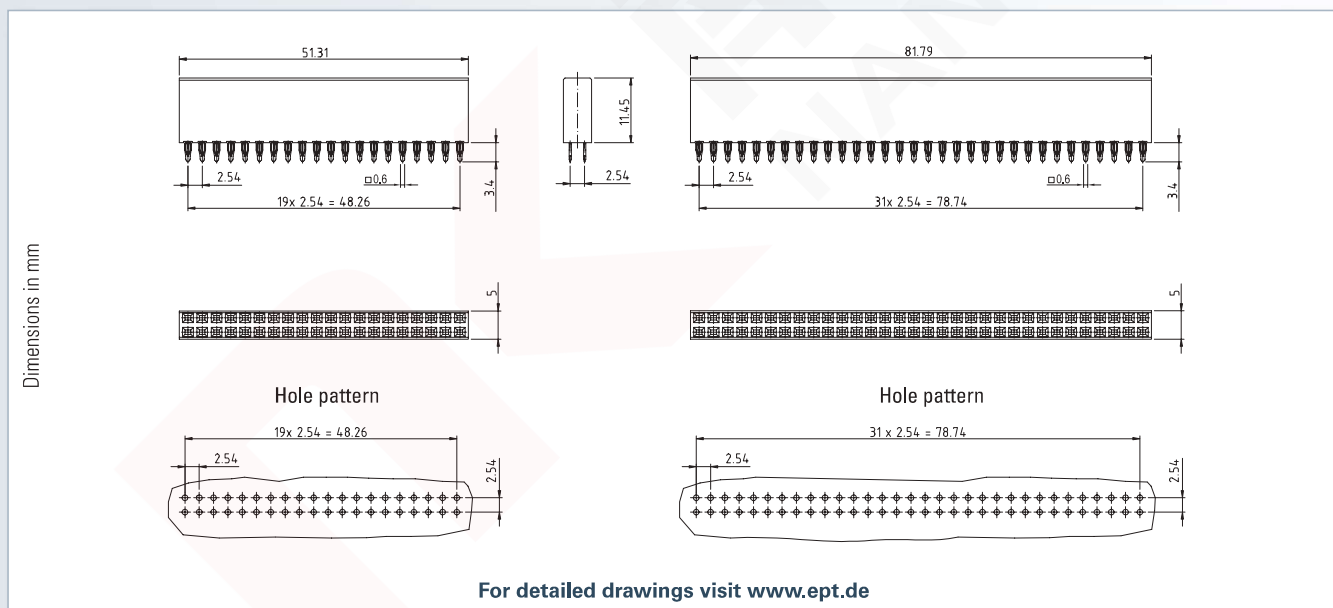
**PC/104 Female Connector**



**Type:** Female connector straight  
**Termination:** Press-fit, solder  
**Number of contacts:** 40, 64  
**Pitch:** 2.54 mm  
**Operational current:** 1.9 A  
**Packaging:** Tray  
**Standard:** PC/104



Technical Specifications on page 202



**Accessories**

- Processing tools p. 340

**Note**

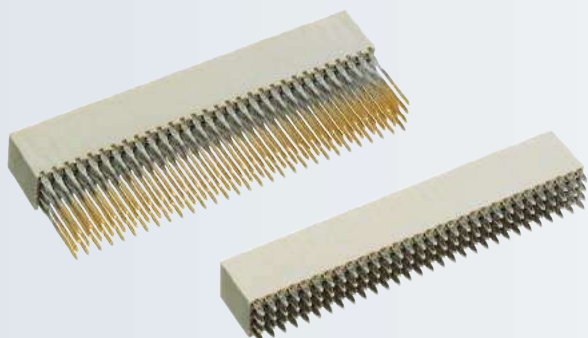
At a contact length of 12.2 mm a guiding block is scope of delivery.

**Mating connector / Application:**



VarPol Straight pin header (p. 190)

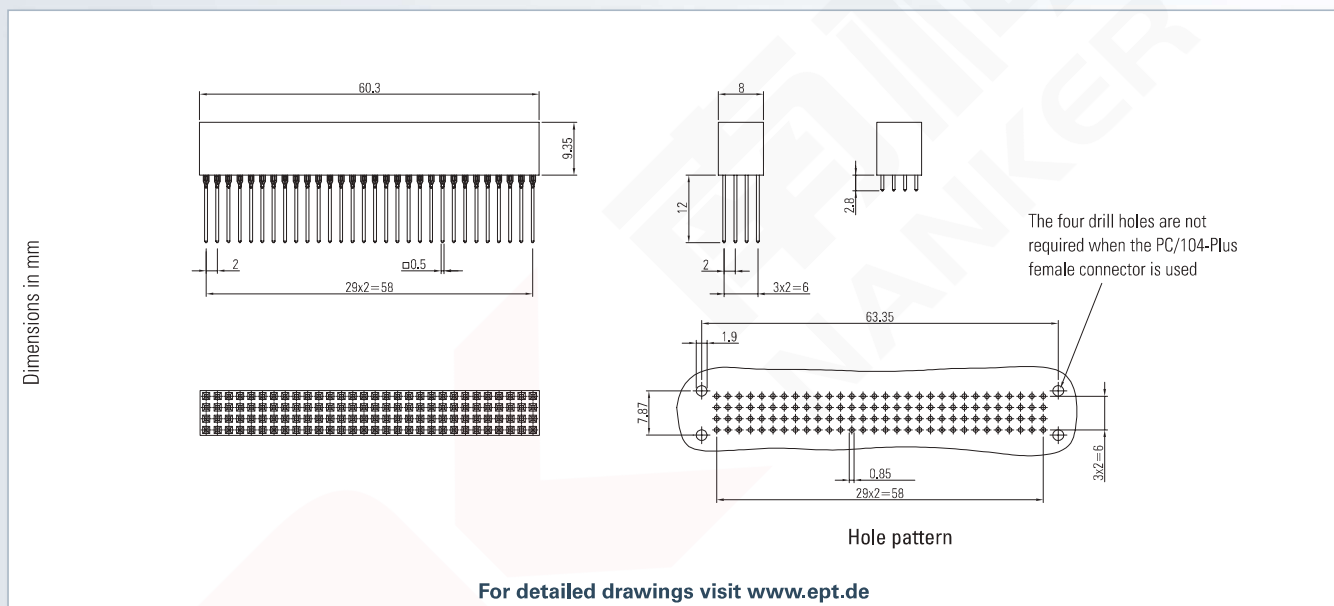
**PC/104-Plus Female Connector**



**Type:** Female connector straight  
**Termination:** Press-fit, solder  
**Number of contacts:** 120  
**Pitch:** 2.0 mm  
**Operational current:** 1.7 A  
**Packaging:** Tray  
**Standard:** PC/104-Plus



Technical Specifications on page 202



**Press-fit**

No. of contacts	Termination length L		PU (Tray)
	2.8 mm	12 mm	
Part number			45/450
120	264-60303-02	264-60303-12	

**On request**

• other no. of contacts



**Solder**

No. of contacts	Termination length L	
	2.8 mm	
Part number		PU (Tray)
120	264-40303-02	45/450

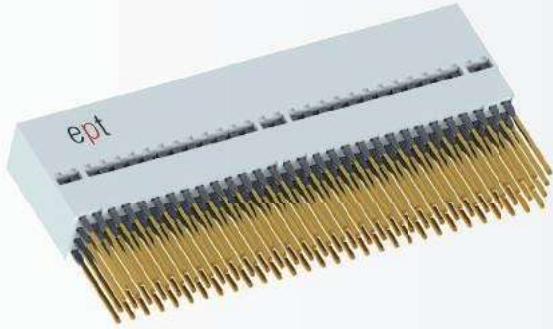
**Accessories**

- Processing tools p. 340
- Shroud p. 209

**Mating connector / Application:**

PC/104-Plus Pin header (p. 208)

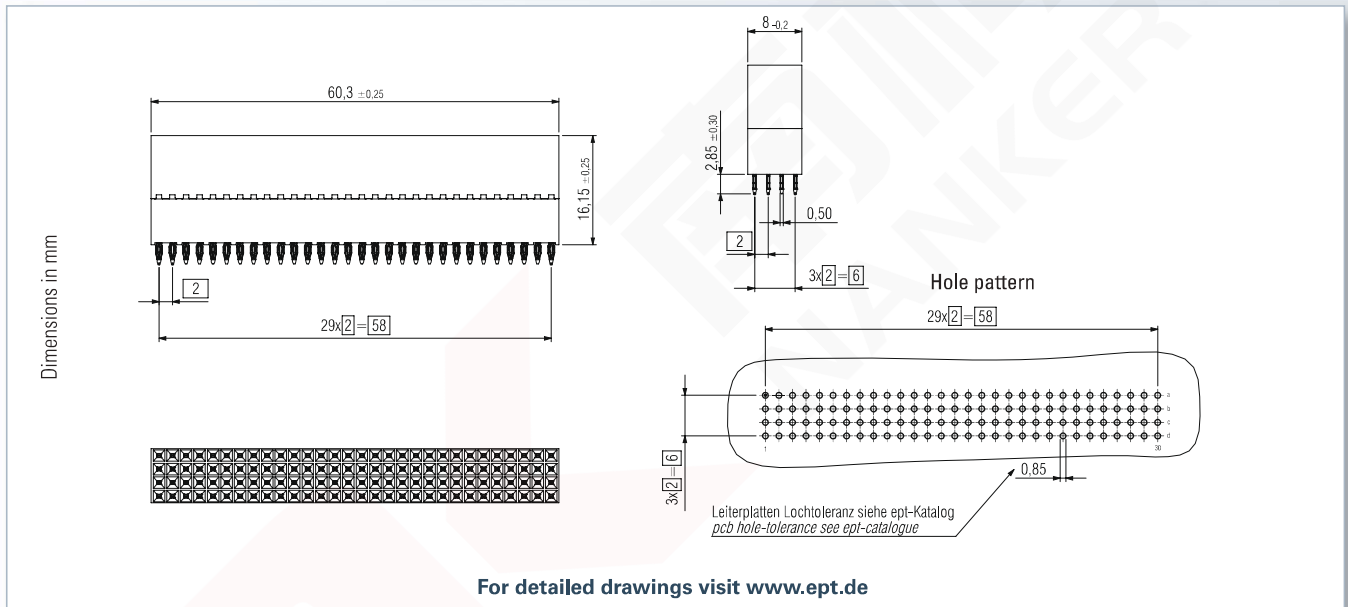
**PC/104-Plus Female Connector 22 mm**



- Type:** Female connector straight
- Termination:** Press-fit
- Number of contacts:** 120
- Pitch:** 2.0 mm
- Operational current:** 1.7 A
- Packaging:** Tray
- Standard:** PC/104-Plus



Technical Specifications on page 202



**Press-fit**

No. of contacts	Termination length L		PU (Tray)
Part number			
120	264-61303-02	264-61303-12	45/450

**On request**

- other no. of contacts

**Accessories**

- Processing tools p. 340
- Shroud p. 209

**Mating connector / Application:**

PC/104-Plus Pin header (p. 208)

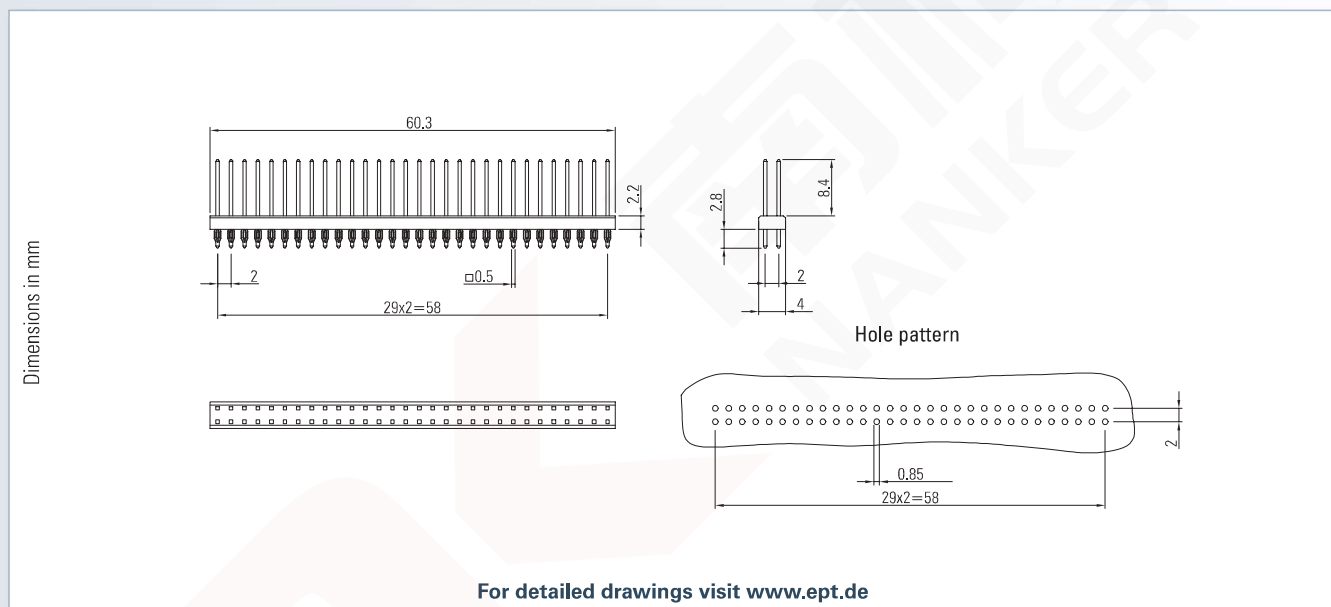
**PC/104-Plus** Pin Header



**Type:** Male connector straight  
**Termination:** Press-fit  
**Number of contacts:** 60  
**Pitch:** 2.0 mm  
**Operational current:** 1.7 A  
**Packaging:** Tray  
**Standard:** PC/104-Plus



Technical Specifications on page 202



**Press-fit**

No. of contacts	Termination length	
	Part number	PU (Tray)
60	272-30000-31	90/900

**On request**

- other lengths
- other contact numbers

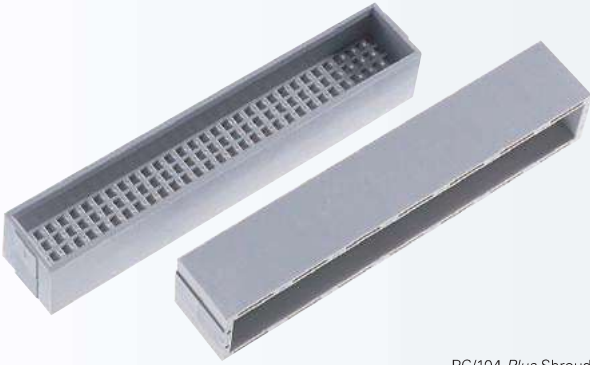
**Accessories**

- Processing tools p. 342

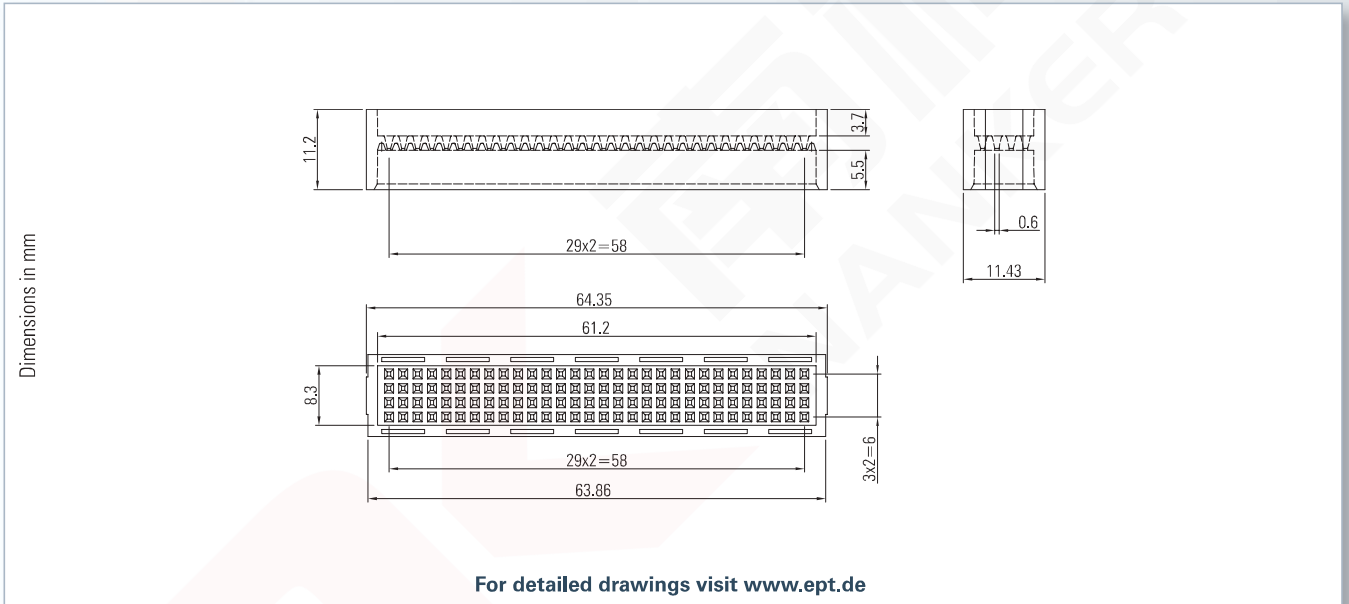
**Mating connector / Application:**



PC/104-Plus Female connector (p. 206)



PC/104-Plus Shroud



No. of contacts	PC/104-Plus		PU (Tray)
	Shroud	Spacer	
	Part number		
120	264-17302	264-16302	450

**Couldn't find something suitable or having questions?** We will be pleased to help you! Call us: +49 8861 / 25010.